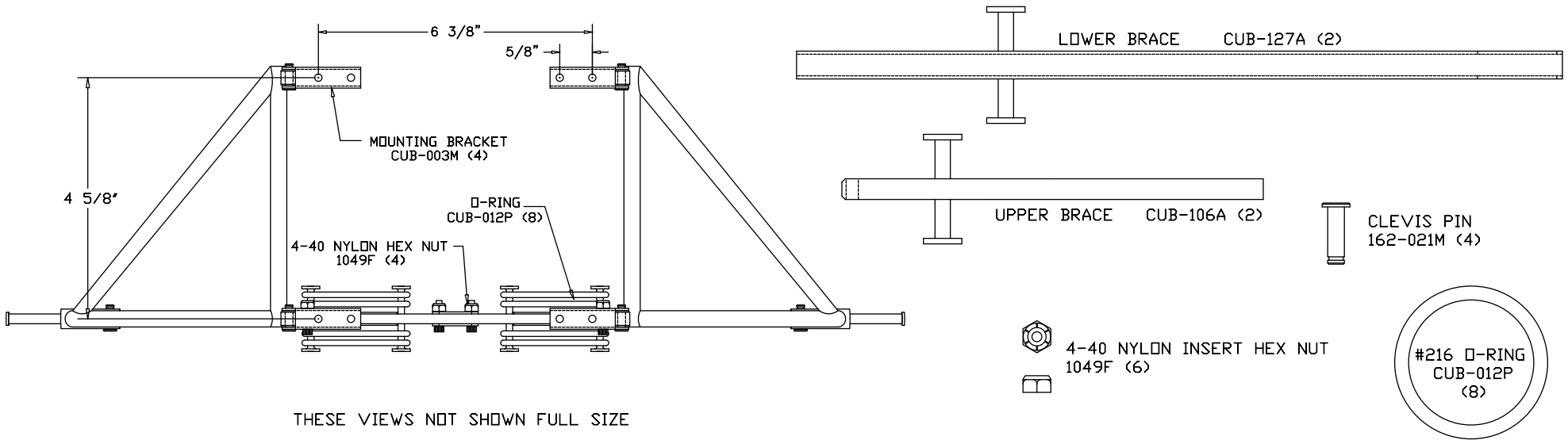
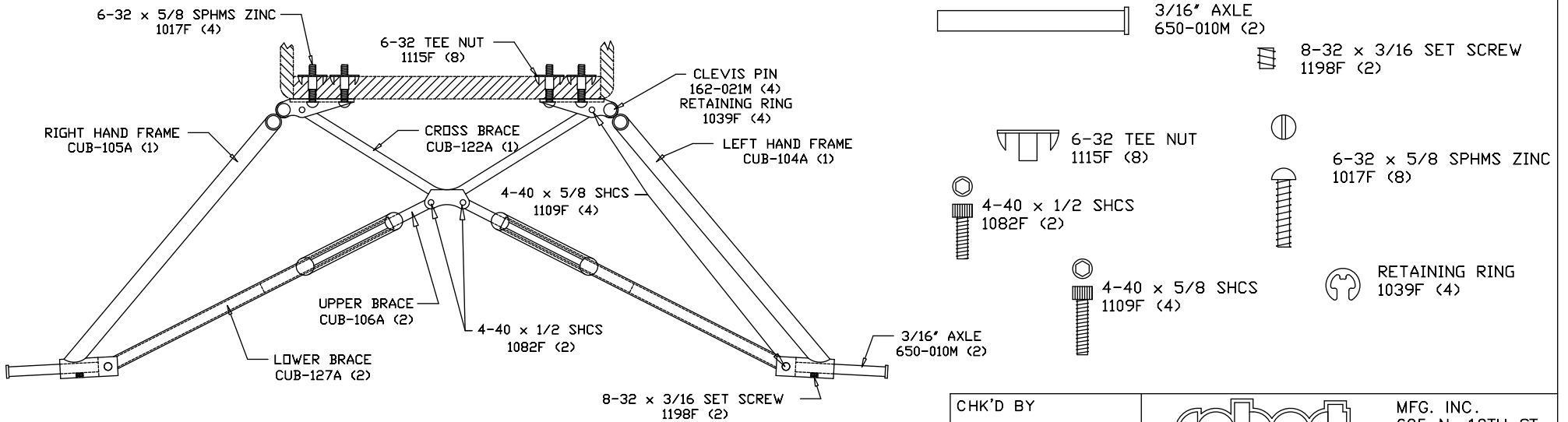


** THIS IS YOUR SPARE PARTS LIST. SAVE FOR FUTURE REFERENCE, ORDER BY PART NUMBER. CURRENT PRICES WILL BE QUOTED.**



THESE VIEWS NOT SHOWN FULL SIZE



CHK'D BY	 www.robart.com	MFG. INC. 625 N. 12TH ST. ST. CHARLES, IL (630)584-7616
DRAWN BY J. REHAK		TITLE 1/4 SCALE PIPER CUB FOR BALSA USA
DATE 6/02		
MODEL No. 690B		