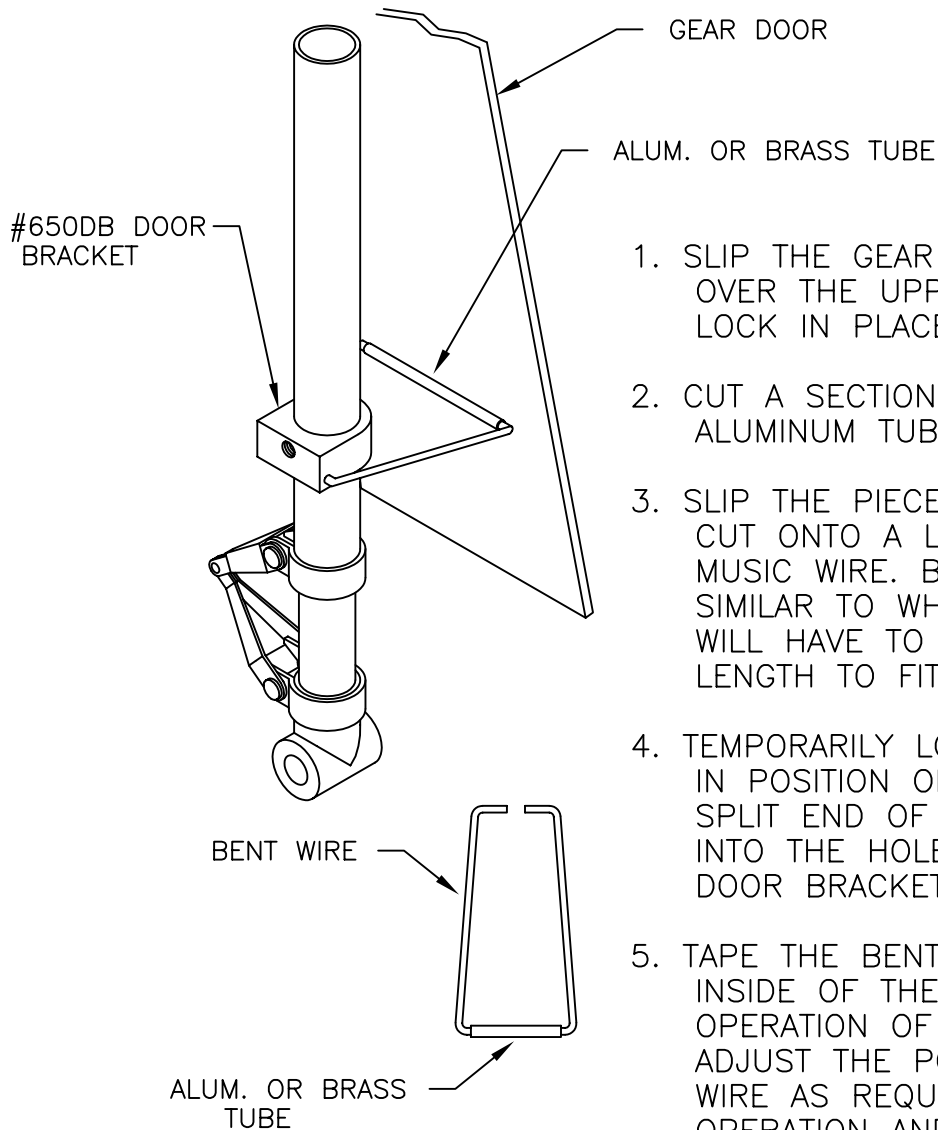


#650DB GEAR DOOR BRACKET INSTALLATION INSTRUCTIONS

FOR USE ON 3/8" DIAMETER STRUTS



1. SLIP THE GEAR DOOR BRACKET DOWN OVER THE UPPER STRUT TUBE. DO NOT LOCK IN PLACE AT THIS TIME
2. CUT A SECTION OF 5/64 ID BRASS OR ALUMINUM TUBE APPROX. 5/8" LONG.
3. SLIP THE PIECE OF TUBING YOU JUST CUT ONTO A LENGTH OF 5/64 DIAMETER MUSIC WIRE. BEND THE WIRE INTO A SHAPE SIMILAR TO WHAT IS SHOWN HERE. YOU WILL HAVE TO VARY THE ACTUAL SHAPE AND LENGTH TO FIT YOUR INSTALLATION.
4. TEMPORARILY LOCK THE #650DB DOOR BRACKET IN POSITION ON THE STRUT. OPEN THE SPLIT END OF THE BENT WIRE AND INSERT INTO THE HOLES IN THE SIDES OF THE DOOR BRACKET.
5. TAPE THE BENT WIRE WITH TUBE TO THE INSIDE OF THE GEAR DOOR AND CHECK THE OPERATION OF THE GEAR AND DOOR. ADJUST THE POSITIONS OF THE BRACKET AND WIRE AS REQUIRED TO PROVIDE SMOOTH OPERATION AND A TIGHT FITTING DOOR. GLUE ONLY THE TUBE TO THE DOOR AFTER FINAL POSITIONING.