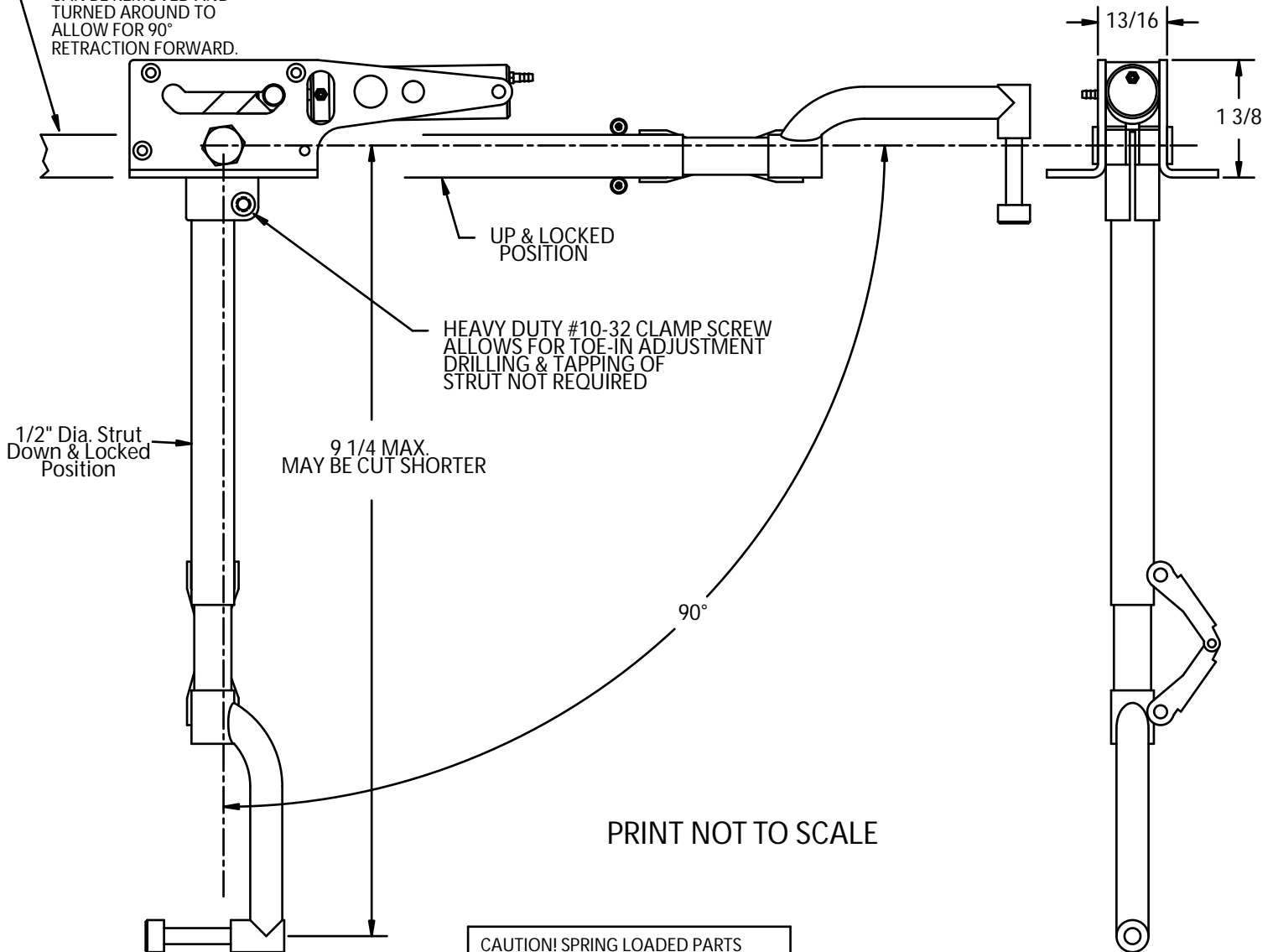


NOTE THAT THE TRUNION CAN BE REMOVED AND TURNED AROUND TO ALLOW FOR 90° RETRACTION FORWARD.



PRINT NOT TO SCALE

CAUTION! SPRING LOADED PARTS COMPRESS STRUT AND REMOVE LOWER "OLEO" PRIOR TO CUTTING UPPER STRUT TUBE TO LENGTH

SCALE 1:1

DRAWN BY CMS



MFG. INC.
625 N. 12TH ST.
ST. CHARLES, IL

THIS DRAWING ITS CONTENTS AND INFORMATION, ARE CONFIDENTIAL, AND THE PROPERTY OF ROBART MFG. INC. IT MAY NOT BE USED, COPIED, AND / OR TRANSMITTED TO ANY PERSON, FIRM, OR CORPORATION WITHOUT THE PRIOR WRITTEN APPROVAL OF ROBART MFG. INC.

TITLE
90° RETRACT MECHANISM
FOR 1/2" DIA. STRUT

DRAWING No.

632