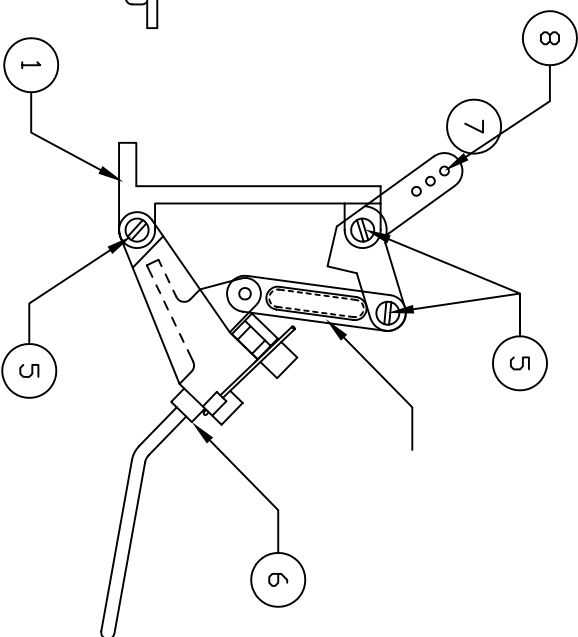
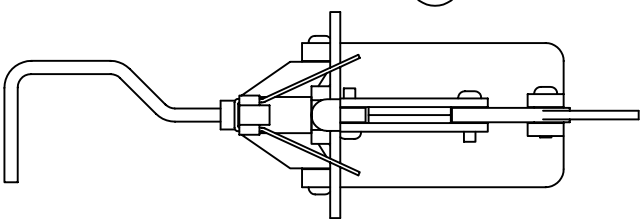
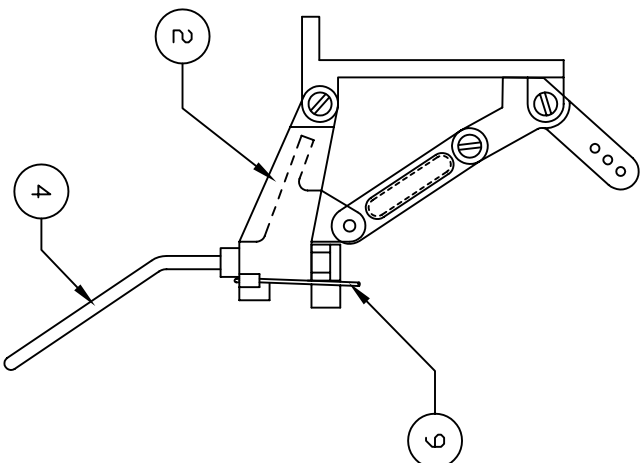
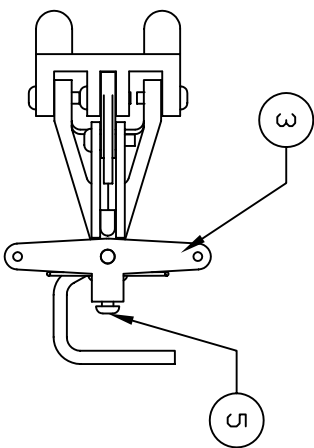
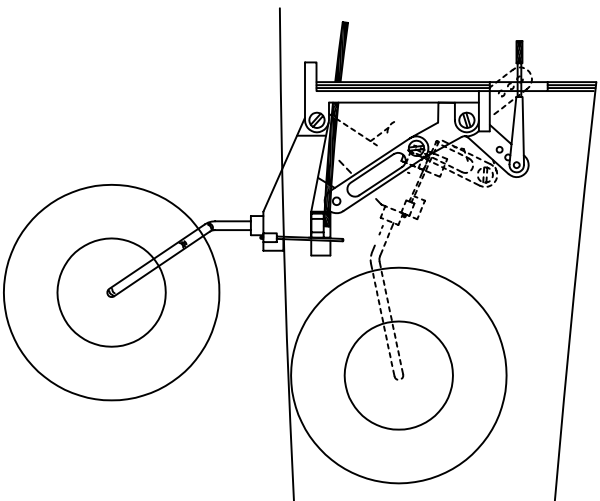


** THIS IS YOUR SPARE PARTS LIST. SAVE FOR FUTURE REFERENCE, ORDER BY PART NUMBER. CURRENT PRICES WILL BE QUOTED.**

TAIL WHEEL SHOULD BE POSITIONED ON AN AFT BULKHEAD (PREFERABLY 3/32 PLYWOOD) SUCH THAT THE WHEEL TRAVELS FULLY INTO THE FUSELAGE WHEN RETRACTED. FASTEN WITH 2-56 SCREWS AND BLIND MOUNTING NUTS.

FLEXIBLE CABLE THROUGH NYLON TUBING IS THE SIMPLEST STEERING TECHNIQUE.

OPERATE TAIL WHEEL RETRACT PUSHROD WITH THE MAIN GEAR SERVO OR AN AIR CYLINDER.




QTY	ITEM	DESCRIPTION	ASSY/PART #
1	1	BASE ASSEMBLY	121-101A
1	2	YOKE ASSEMBLY	121-102A
1	3	TILLER ARM ASSEMBLY	121-103A
1	4	TAILWHEEL WIRE	121-008M
6	5	2-56 X 5/16 SPHMS ZN	1005F
1	6	RETAINER COLLAR	121-009M
2	7	DRAG LINK	121-002M
1	8	BELL CRANK	121-004M
1	9	RETURN WIRE	121-105A

SPARE PARTS LIST

906-179M

FACTORY REPAIR FEE= \$25.00 PLUS PARTS

CHK'D BY			MFG. INC. 625 N. 12TH ST. ST. CHARLES, IL (630)584-7616
DRAWN BY	J. REHAK		
DATE	8-9-02	TITLE	#121 SCALE TAILWHEEL
MODEL No.	121		