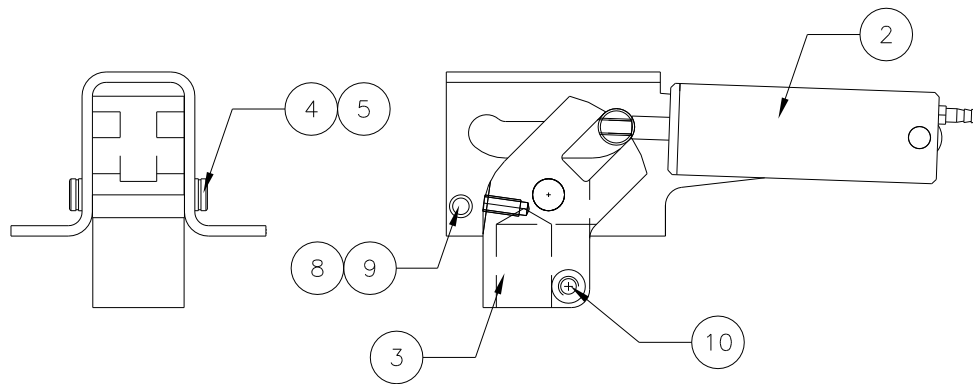
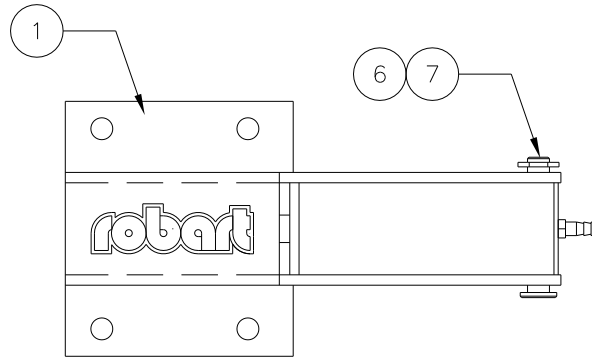


** THIS IS YOUR SPARE PARTS LIST. SAVE FOR FUTURE REFERENCE, ORDER BY PART NUMBER. CURRENT PRICES WILL BE QUOTED.**

SPARE PARTS LIST

QTY	ITEM	NOTE	DESCRIPTION	ASS'Y/PART #
1	1		90° FRAME- RAIL MOUNT	510-001M
1	2		CYLINDER ASSEMBLY	510-108A
1	3		TRUNION 3/8" BORE	510-002M
1	4		TRUNION PIVOT PIN	530-026M
2	5		TRUNION RETAINING RING	1125F
1	6		CLEVIS PIN	150-012M
1	7		E CLIP	1039F
1	8		FRAME SPACER	530-021M
2	9		FRAME SCREW	1047F
1	10		CLAMP SCREW	1048F



CHK'D BY	 www.robart.com	MFG. INC. 625 N. 12TH ST. ST. CHARLES, IL (630)584-7616
DRAWN BY J. REHAK		
DATE 6/05	TITLE	510 RETRACT ASSEMBLY ECONOMY SPARE PARTS LIST
MODEL No. 510RS 512RS		

906-247M

FACTORY REPAIR FEE= \$25.00 PLUS PARTS