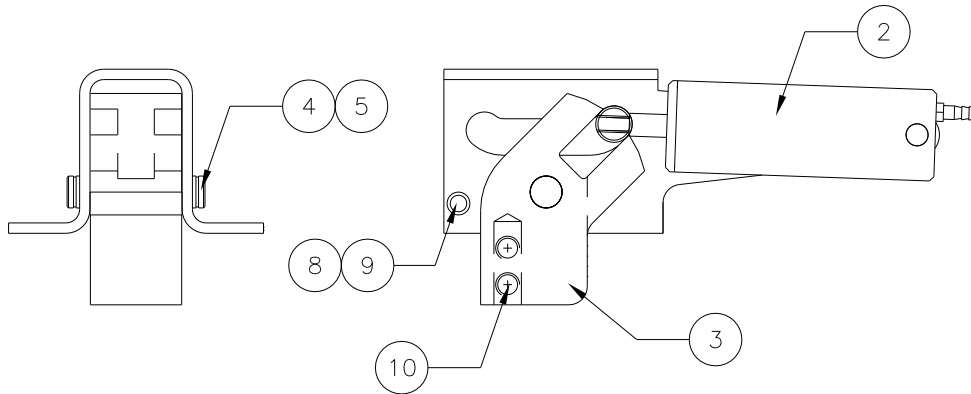
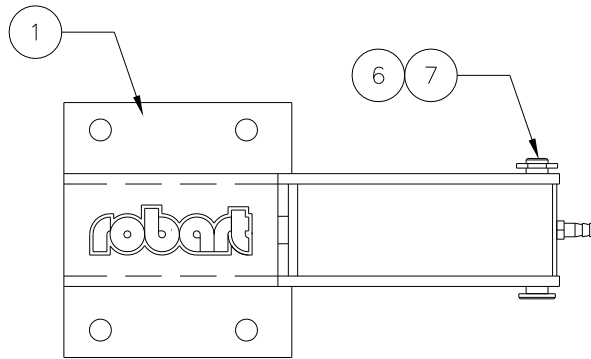


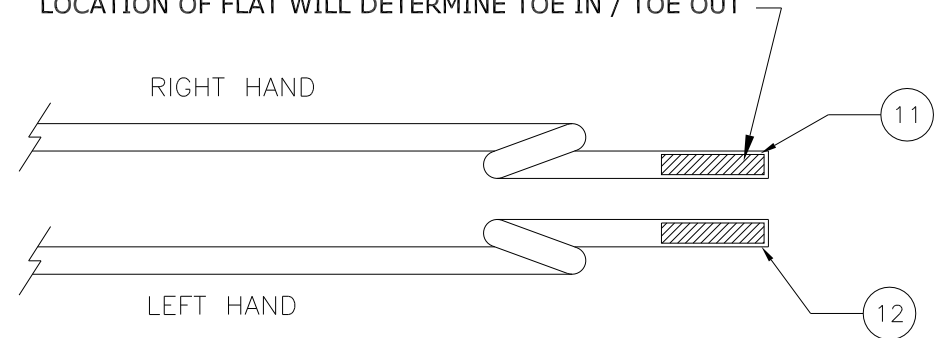
\*\* THIS IS YOUR SPARE PARTS LIST. SAVE FOR FUTURE REFERENCE, ORDER BY PART NUMBER. CURRENT PRICES WILL BE QUOTED.\*\*

# SPARE PARTS LIST

QTY	ITEM	NOTE	DESCRIPTION	ASS'Y/PART #
1	1		90° FRAME- RAIL MOUNT	510-001M
1	2		CYLINDER ASSEMBLY	510-108A
1	3		TRUNION- WIRE BORE	510-003M
1	4		TRUNION PIVOT PIN	530-026M
2	5		TRUNION RETAINING RING	1125F
1	6		CLEVIS PIN	150-012M
1	7		E CLIP	1039F
1	8		FRAME SPACER	530-021M
2	9		FRAME SCREW	1047F
2	10		SET SCREW	1198F
1	11		3/16" WIRE RH	608-003M
1	12		3/16" WIRE LH	608-004M



NOTE: GRIND FLAT ON END OF WIRE AS SHOWN TO PROVIDE PROPER SEATING OF SET SCREWS THIS WILL HELP WIRE FROM ROTATING IN TRUNION LOCATION OF FLAT WILL DETERMINE TOE IN / TOE OUT



CHK'D BY	 MFG. INC. 625 N. 12TH ST. ST. CHARLES, IL (630)584-7616
DRAWN BY <b>J. REHAK</b>	
DATE <b>6/05</b>	TITLE <b>510 90° WIRE MAIN GEAR RAIL MOUNT ECONOMY SPARE PARTS LIST</b>
MODEL No. <b>510W1 512W1</b>	

906-248M

FACTORY REPAIR FEE= \$25.00 PLUS PARTS