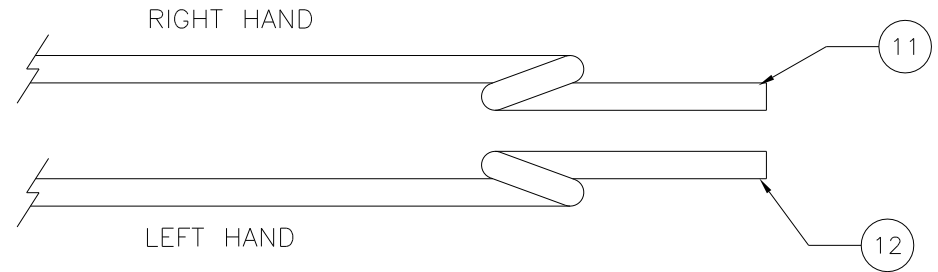
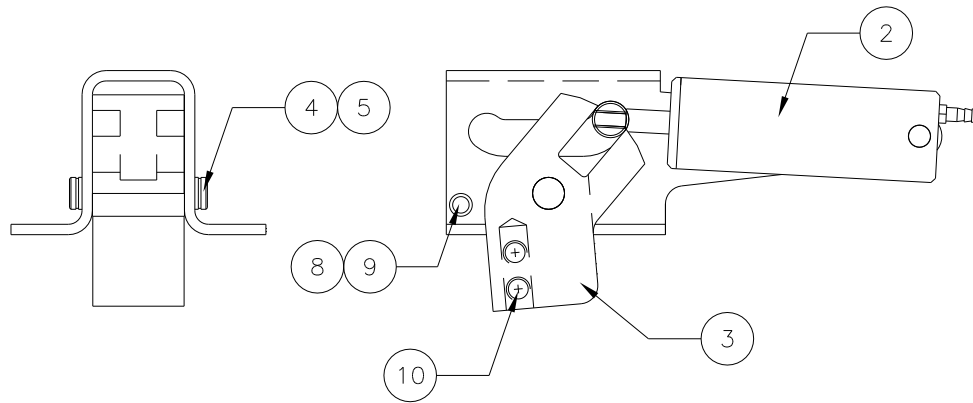
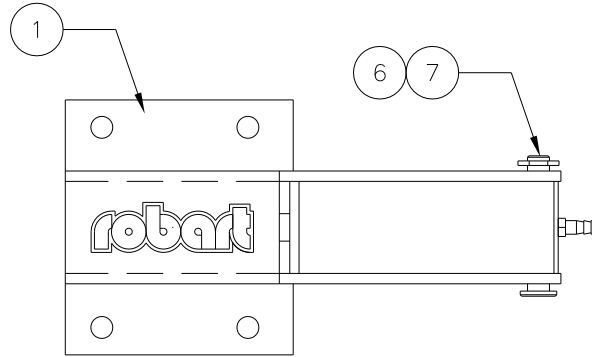


** THIS IS YOUR SPARE PARTS LIST. SAVE FOR FUTURE REFERENCE, ORDER BY PART NUMBER. CURRENT PRICES WILL BE QUOTED.**

SPARE PARTS LIST

QTY	ITEM	NOTE	DESCRIPTION	ASS'Y/PART #
1	1		85° FRAME- RAIL MOUNT	511-001M
1	2		CYLINDER ASSEMBLY	510-108A
1	3		TRUNION- 3/16 WIRE BORE	510-003M
1	4		TRUNION PIVOT PIN	530-026M
2	5		TRUNION RETAINING RING	1125F
1	6		CLEVIS PIN	150-012M
1	7		E CLIP	1039F
1	8		FRAME SPACER	530-021M
2	9		FRAME SCREW	1047F
2	10		SET SCREW	1198F
1	11		3/16" WIRE RH	608-003M
1	12		3/16" WIRE LH	608-004M



CHK'D BY	 www.robart.com	MFG. INC. 625 N. 12TH ST. ST. CHARLES, IL (630)584-7616
DRAWN BY J. REHAK		
DATE 6/05	TITLE	511 85° WIRE MAIN GEAR RAIL MOUNT ECONOMY SPARE PARTS LIST
MODEL No. 511W1 513W1		

906-256M

FACTORY REPAIR FEE= \$25.00 PLUS PARTS