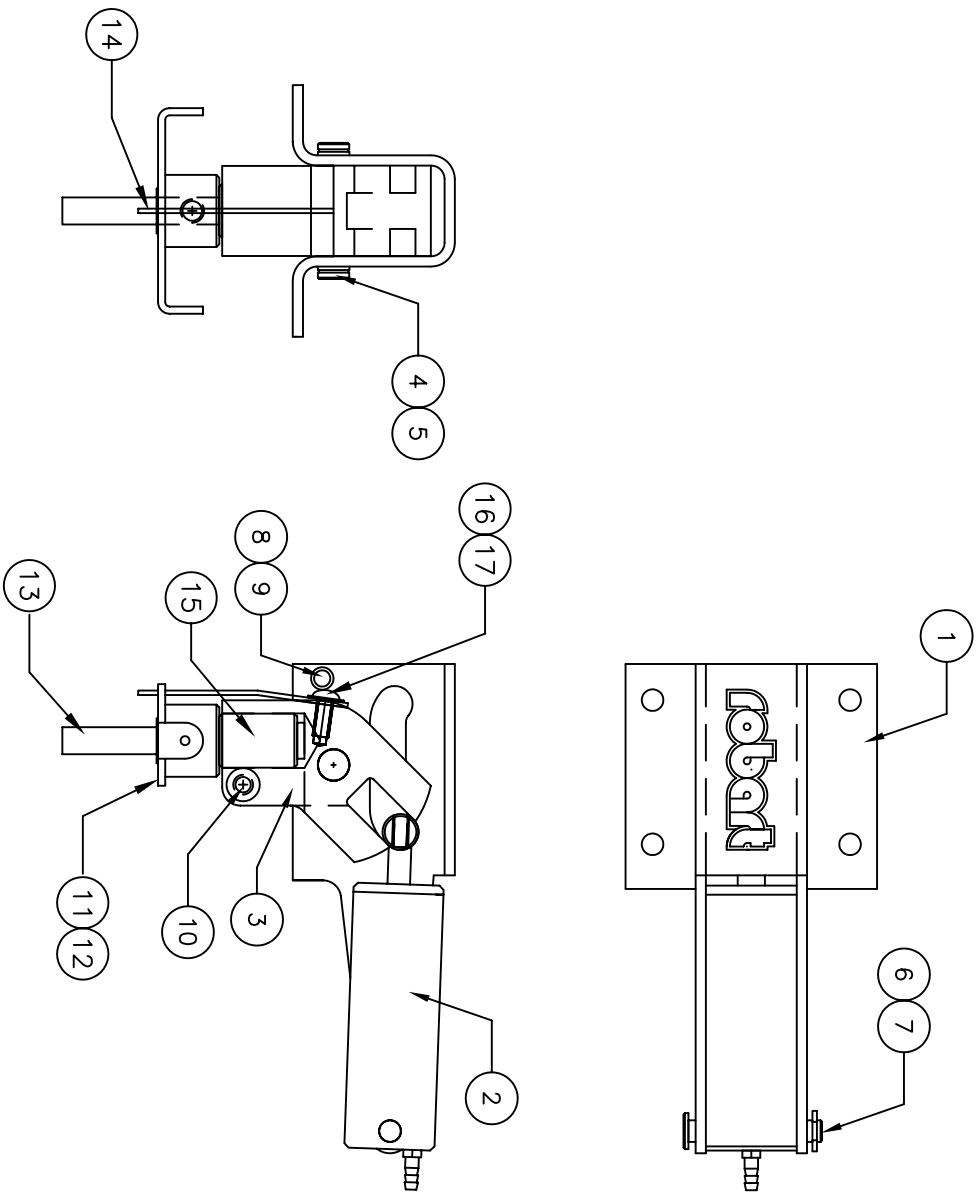


** THIS IS YOUR SPARE PARTS LIST. SAVE FOR FUTURE REFERENCE, ORDER BY PART NUMBER. CURRENT PRICES WILL BE QUOTED.**

SPARE PARTS LIST

QTY	ITEM NOTE	DESCRIPTION	ASS'Y/PART #
1	1	90° FRAME - RAIL MOUNT	510-001M
1	2	CYLINDER ASSEMBLY	510-108A
1	3	TRUNION 3/8" BORE	510-002M
1	4	TRUNION PIVOT PIN	530-026M
2	5	TRUNION RETAINING RING	1125F
1	6	CLEVIS PIN	150-012M
1	7	E CLIP	1039F
1	8	FRAME SPACER	530-021M
2	9	FRAME SCREW	1047F
1	10	CLAMP SCREW	1048F
1	11	STEERING ARM ASSEMBLY	530-125A
1	12	#10-32 SET SCREW	1145F
1	13	PIVOT PIN (AXLE)	650-010M
1	14	CENTERING SPRING	550-230M
1	15	STEERING BEARING	510-005M
1	16	CENTERING SPRING SCREW	1022F
1	17	#4 FLAT WASHER	1102F



906-254M

FACTORY REPAIR FEE= \$25.00 PLUS PARTS

CHK'D BY		MFG. INC.
DRAWN BY	J. REHAK	625 N. 12TH ST. ST. CHARLES, IL (630)584-7616
DATE	6/05	www.robart.com
MODEL No.	514RS	TITLE 514 90° NOSE GEAR RAIL MOUNT ECONOMY SPARE PARTS LIST