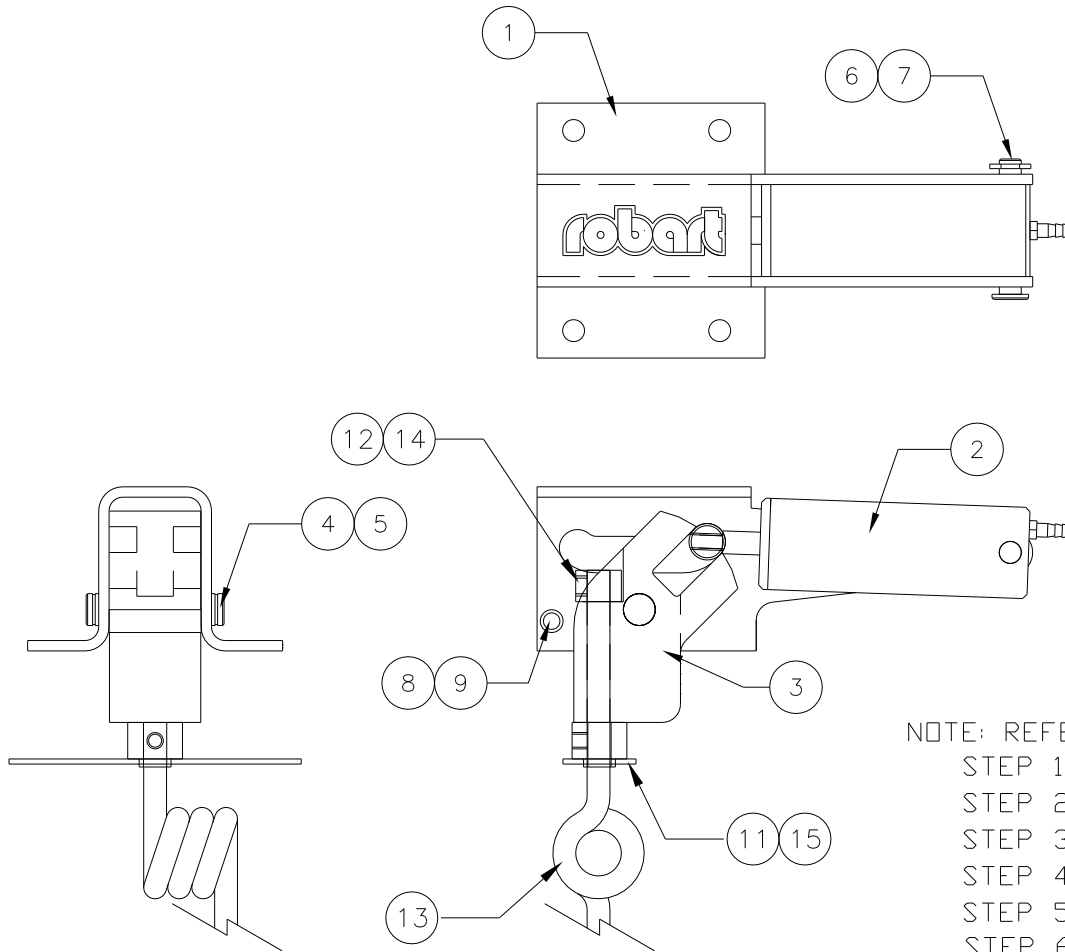



\*\* THIS IS YOUR SPARE PARTS LIST. SAVE FOR FUTURE REFERENCE, ORDER BY PART NUMBER. CURRENT PRICES WILL BE QUOTED.\*\*

## SPARE PARTS LIST

QTY	ITEM	NOTE	DESCRIPTION	ASS'Y/PART #
1	1	.	90° FRAME- RAIL MOUNT	510-001M
1	2	.	CYLINDER ASSEMBLY	510-108A
1	3	.	TRUNION- NOSE WIRE BORE	510-004M
1	4	.	TRUNION PIVOT PIN	530-026M
2	5	.	TRUNION RETAINING RING	1125F
1	6	.	CLEVIS PIN	150-012M
1	7	.	E CLIP	1039F
1	8	.	FRAME SPACER	530-021M
2	9	.	FRAME SCREW	1047F
.	10	.	.	.
1	11	.	STEERING ARM ASSEMBLY	BF4F-204A
1	12	.	#6-32 SET SCREW	1060F
1	13	.	NOSE GEAR WIRE	514-001M
1	14	.	WHEEL COLLAR	102-005P
1	15	.	SET SCREW	1142F
.	16	.	.	.
.	17	.	.	.



NOTE: REFERENCE DRAWING FOR WIRE AND STEERING ASSEMBLY  
 STEP 1 ASSEMBLE WIRE AND STEERING ARM WITH #15  
 STEP 2 SLIDE WIRE INTO TRUNION AND CHECK CLEARANCE  
 STEP 3 LOCK WHEEL COLLAR ONTO WIRE AND CHECK AGAIN  
 STEP 4 DIS-ASSEMBLE AND GRIND FLATS ON SCREW MARKS  
 STEP 5 RE-ASSEMBLE WITH THREAD LOCKER ON SCREWS  
 STEP 6 CHECK FOR FREE MOVEMENT AND IF GEAR RETRACTS

CHK'D BY	 MFG. INC. 625 N. 12TH ST. ST. CHARLES, IL (630)584-7616
DRAWN BY J. REHAK	
DATE 6/05	TITLE 514 90° WIRE NOSE GEAR RAIL MOUNT
MODEL No. 514W1	ECONOMY SPARE PARTS LIST

906-249M

FACTORY REPAIR FEE= \$25.00 PLUS PARTS