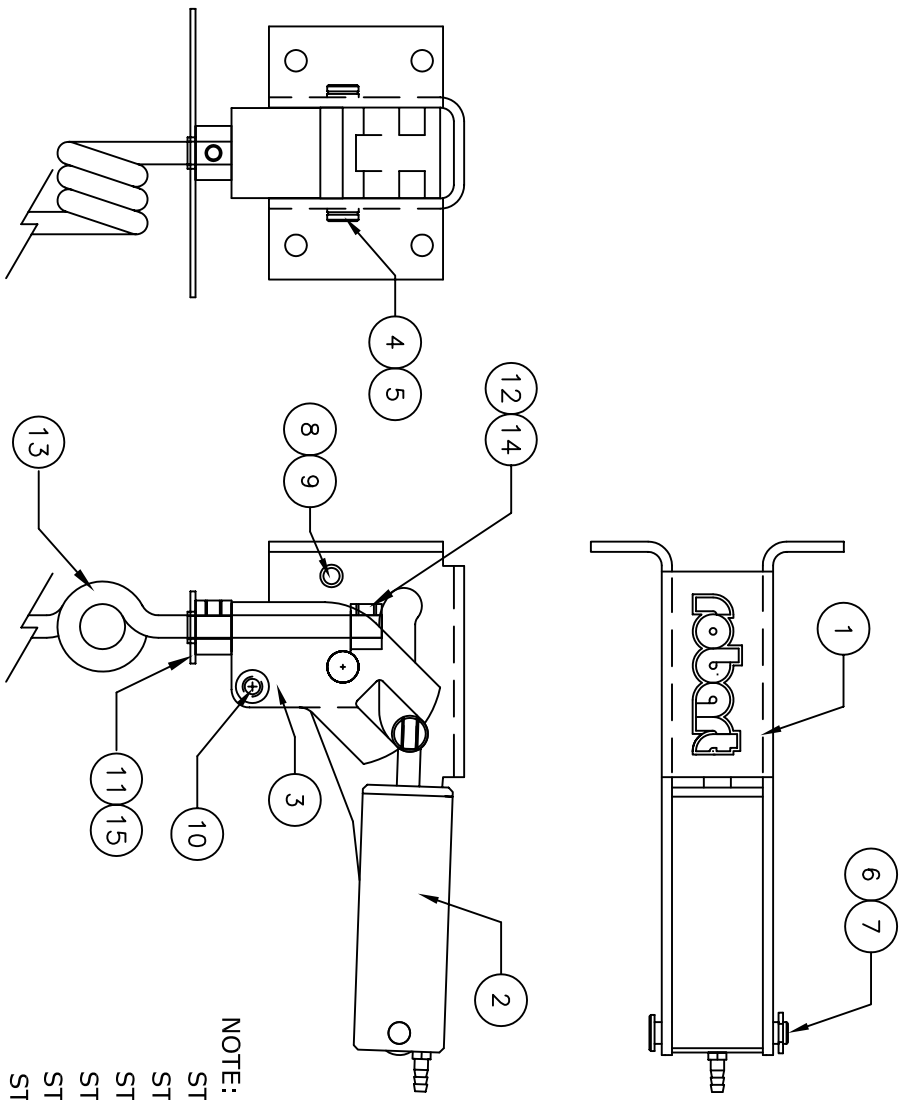


** THIS IS YOUR SPARE PARTS LIST. SAVE FOR FUTURE REFERENCE, ORDER BY PART NUMBER. CURRENT PRICES WILL BE QUOTED.**

SPARE PARTS LIST

QTY	ITEM NOTE	DESCRIPTION	ASSY/PART #
1	1	90° FRAME- FIREWALL MOUNT	515-001M
1	2	CYLINDER ASSEMBLY	510-108A
1	3	TRUNION- NOSE WIRE BORE	510-004M
1	4	TRUNION PIVOT PIN	530-026M
2	5	TRUNION RETAINING RING	1125F
1	6	CLEVIS PIN	150-012M
1	7	E CLIP	1039F
1	8	FRAME SPACER	530-021M
2	9	FRAME SCREW	1047F
1	10	CLAMP SCREW	1048F
1	11	STEERING ARM ASSEMBLY	BF4F-204A
1	12	#6-32 SET SCREW	1060F
1	13	NOSE GEAR WIRE	514-001M
1	14	WHEEL COLLAR	102-005M
1	15	SET SCREW	1142F
	16		
	17		



NOTE: REFERENCE DRAWING FOR WIRE AND STEERING ASSEMBLY

STEP 1 ASSEMBLE WIRE AND STEERING ARM WITH #15

STEP 2 SLIDE WIRE INTO TRUNION AND CHECK CLEARANCE

STEP 3 LOCK WHEEL COLLAR ONTO WIRE AND CHECK AGAIN

STEP 4 DIS-ASSEMBLE AND GRIND FLATS ON SCREW MARKS

STEP 5 RE-ASSEMBLE WITH THREAD LOCKER ON SCREWS

STEP 6 CHECK FOR FREE MOVEMENT AND IF GEAR RETRACTS

CHK'D BY		MFG. INC.
DRAWN BY	J. REHAK	625 N. 12TH ST.
DATE	6/05	ST. CHARLES, IL
MODEL No.	515W1	(630)584-7616
TITLE		515 90° WIRE NOSE GEAR
		FIREWALL MOUNT
		ECONOMY SPARE PARTS LIST

906-250M

FACTORY REPAIR FEE= \$25.00 PLUS PARTS