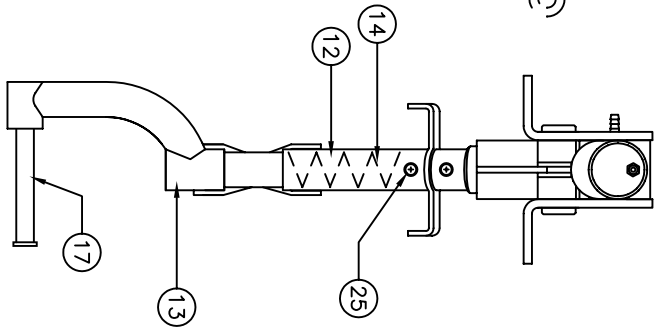
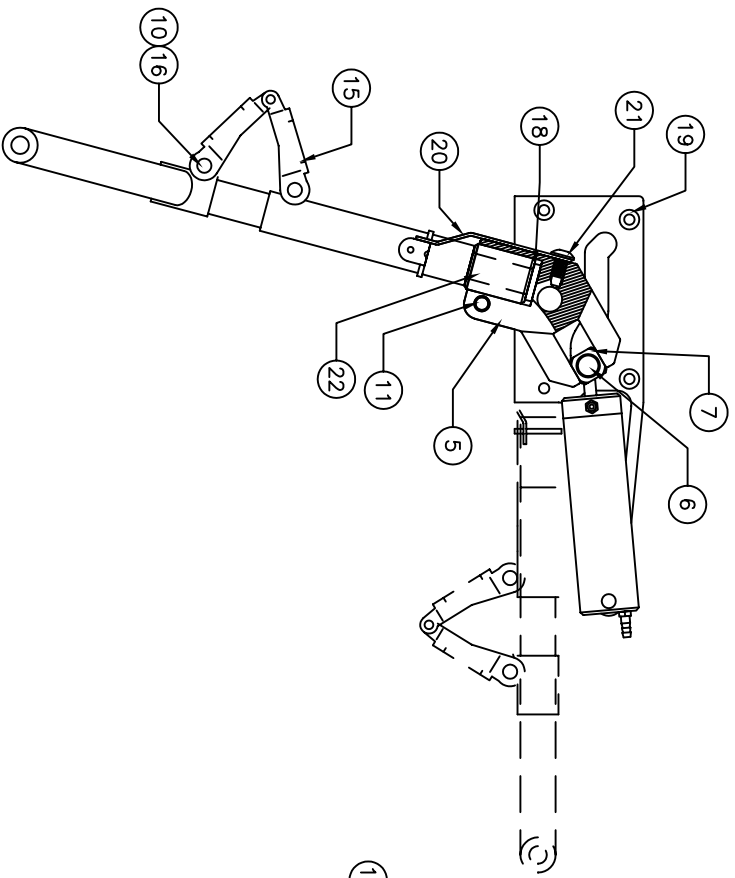
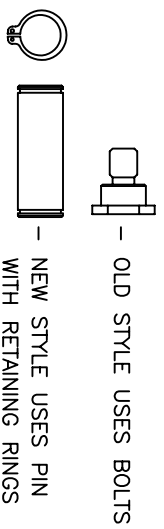
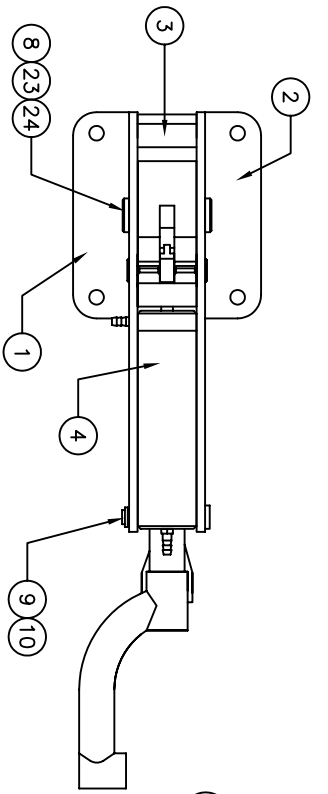


\*\* THIS IS YOUR SPARE PARTS LIST. SAVE FOR FUTURE REFERENCE, ORDER BY PART NUMBER. CURRENT PRICES WILL BE QUOTED.\*\*



# SPARE PARTS LIST

ITEM	DESCRIPTION	ASSY/PART #
1	SIDE FRAME (LH)	630-017M LH
2	SIDE FRAME (RH)	630-018M RH
3	FRAME SPACER	630-005M
4	CYLINDER ASSEMBLY	630-102A
5	TRUNION	630-023M
6	CAM PIN	630-012M
7	CAM FOLLOWER	630-011M
8	TRUNION BOLT	630-006M
9	CLEVIS PIN	150-012M
10	RETAINING RING	1039F
11	CLAMP SCREW	1110F
12	UPPER STRUT	BZA-211A
13	OLEO STRUT	BZA-212A
14	SPRING 3 1/4" LONG	660-006P
15	TORQUE LINK ASSEMBLY	620-112A
16	CLEVIS PIN	620-012M
17	AXLE BAG ASSEMBLY	BNZ-142A
18	PIVOT PIN	BZA-319M
19	#4-40 x 1/4" PPHMS	1047F
20	STEERING SPRING	630-021M
21	#6-32 x 1/4" BHCS	1020F
22	STEERING BUSHING	ZF9F-204M
23	TRUNION PIN **	630-333M
24	PIN RETAINING RING **	1132F
25	#8-32 x 3/16 SHSS	1198F

\*\* USED FOR NEW STYLE  
NOTE WHICH STYLE WHEN ORDERING

CHK'D BY		MFG. INC.
DRAWN BY	J. REHAK	625 N. 12TH ST.
DATE	6-14-02	ST. CHARLES, IL
MODEL No.	630BNZ	(630)584-7616
TITLE		NDSE GEAR 81" BEECH
		BDNANZA



.906-060M

FACTORY REPAIR FEE= \$25.00 PLUS PARTS