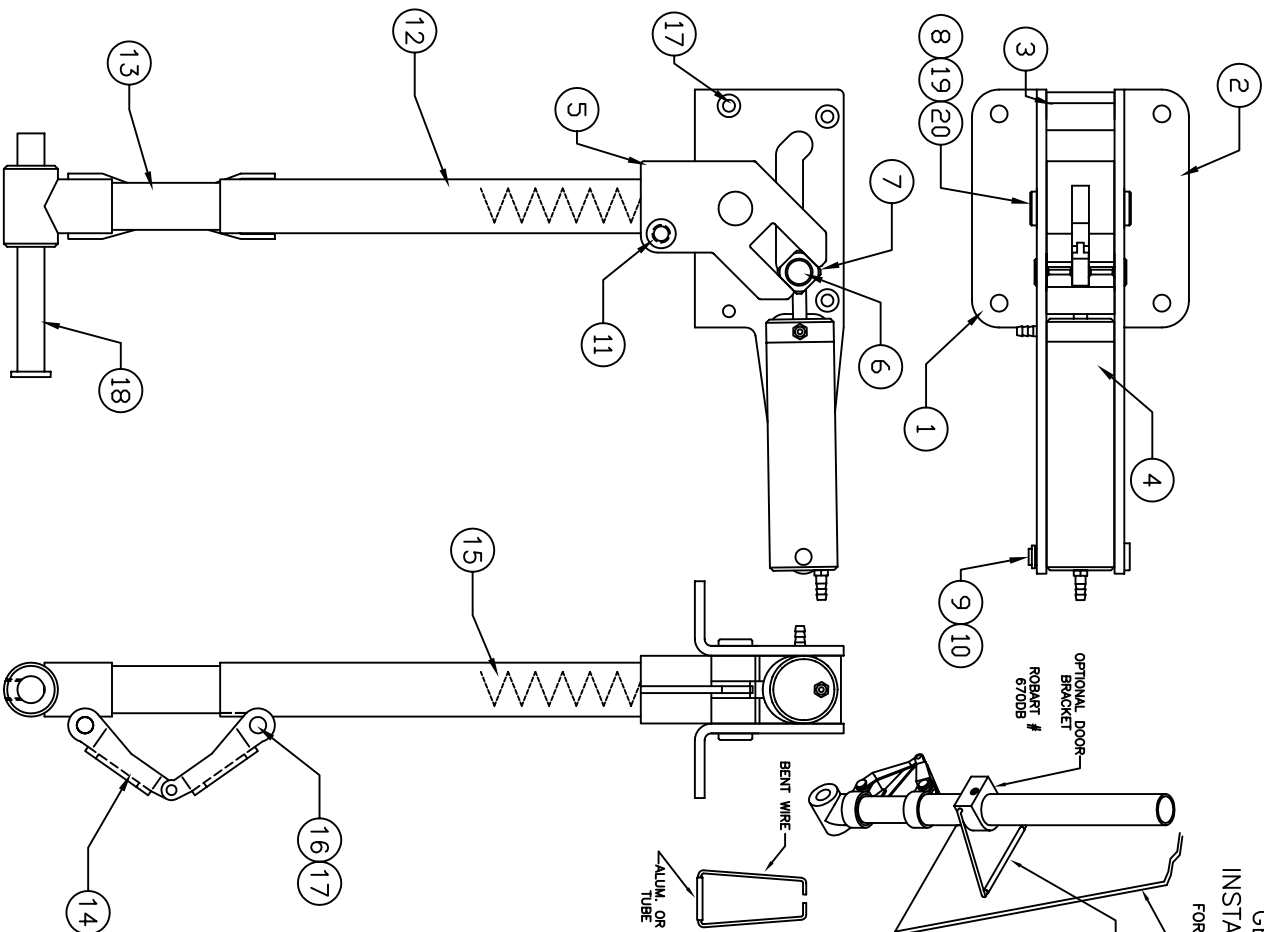


** THIS IS YOUR SPARE PARTS LIST. SAVE FOR FUTURE REFERENCE, ORDER BY PART NUMBER. CURRENT PRICES WILL BE QUOTED.**

OPTIONAL
GEAR DOOR BRACKET
INSTALLATION INSTRUCTIONS

FOR USE ON 1/2" DIAMETER STRUTS



- SLIP THE GEAR DOOR BRACKET DOWN OVER THE UPPER STRUT TUBE. DO NOT LOCK IN PLACE AT THIS TIME.
- CUT A SECTION OF 5/64 ID BRASS OR ALUMINUM TUBE APPROX. 3/4" LONG.
- CUT THE PIECE OF TUBING YOU JUST CUT ONTO A LENGTH OF 5/64 DIAMETER SIMILAR TO WHAT IS SHOWN HERE. YOU WILL HAVE TO VARY THE ACTUAL SHAPE AND LENGTH TO FIT YOUR INSTALLATION.
- TEMPORARILY LOCK THE DOOR BRACKET IN POSITION ON THE STRUT. OPEN THE SPLIT END OF THE BENT WIRE AND INSERT INTO THE HOLES IN THE SIDES OF THE DOOR BRACKET.
- TAPE THE BENT WIRE WITH TUBE TO THE INSIDE OF THE GEAR DOOR AND CHECK THE OPERATION OF THE GEAR AND DOOR. ADJUST THE POSITIONS OF THE BRACKET AND WIRE AS REQUIRED TO PROVIDE SMOOTH OPERATION AND A TIGHT FITTING DOOR. GLUE ONLY THE TUBE TO THE DOOR AFTER FINAL POSITIONING.

SPARE PARTS LIST

QTY	ITEM	DESCRIPTION	ASSY/PART #
1	1	SIDE FRAME (LH)	630-001M
1	2	SIDE FRAME (RH)	630-002M
3	3	FRAME SPACER	630-005M
1	4	CYLINDER ASSEMBLY	630-102A
1	5	TRUNION *(THRU HOLE)	630-003M
1	6	CAM PIN	630-012M
2	7	CAM FOLLOWER	630-011M
2	8	TRUNION BOLT	630-006M
1	9	CLEVIS PIN	150-012M
3	10	RETAINING RING	1039F
1	11	CLAMP SCREW	1110F
1	12	STRUT WELDMENT	622-115A
1	13	OLEO RAM WELDMENT	622-125A
1	14	TORQUE LINK ASSEMBLY	620-112A
1	15	SPRING 8" LONG	150-019P
2	16	CLEVIS PIN	620-012M
6	17	#4-40 x 1/4" PPHMS	1047F
1	18	AXLE BAG ASSEMBLY	145-142A
1	19	TRUNION PIN **	630-333M
2	20	PIN RETAINING RING **	1132F
	21		

** USED FOR NEW STYLE
NOTE WHICH STYLE WHEN ORDERING

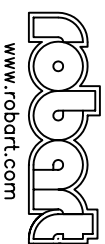


- OLD STYLE USES BOLTS



- NEW STYLE USES PIN WITH RETAINING RINGS

CHK'D BY	
DRAWN BY	J. REHAK
DATE	6-12-02
MODEL No.	630



MFG. INC.
625 N. 12TH ST.
ST. CHARLES, IL
(630)584-7616

TITLE 90° PNEUMATIC RETRACT
STRAIGHT STRUT