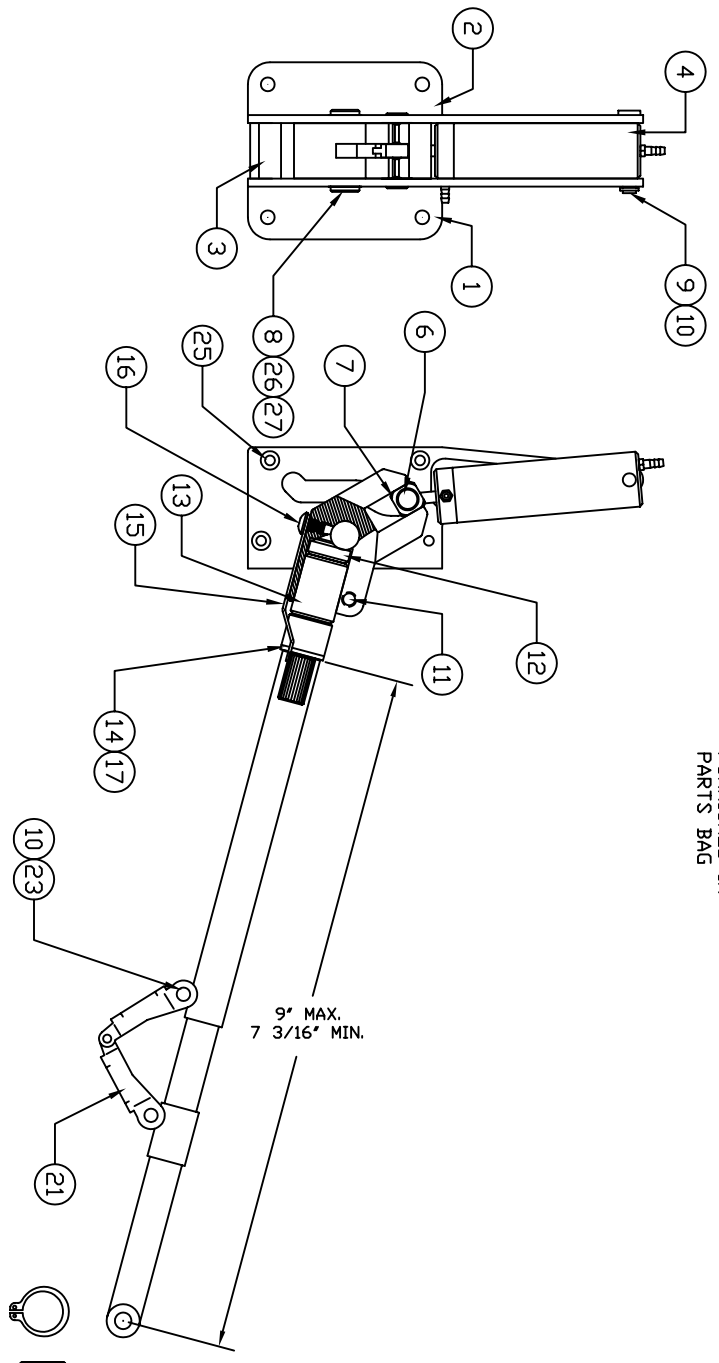
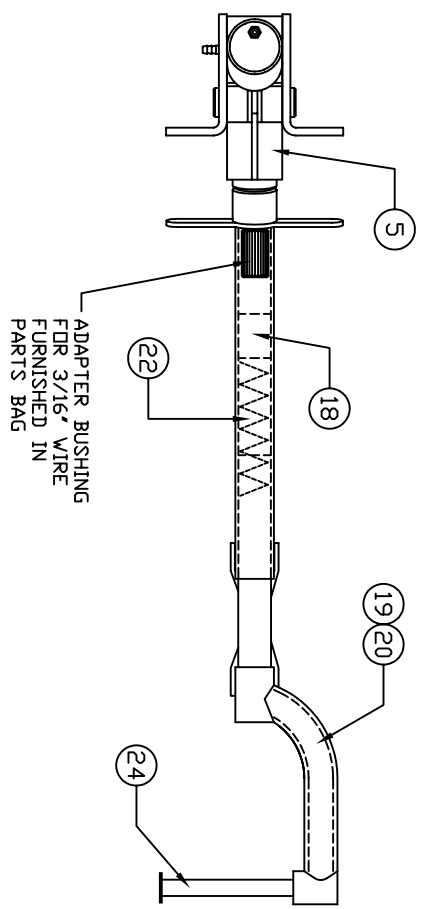


** THIS IS YOUR SPARE PARTS LIST. SAVE FOR FUTURE REFERENCE, ORDER BY PART NUMBER. CURRENT PRICES WILL BE QUOTED.**



SPARE PARTS LIST

ITEM	DESCRIPTION	ASSY/PART #
1	SIDE FRAME (LH)	630-017M
2	SIDE FRAME (RH)	630-018M
3	FRAME SPACER	630-005M
4	CYLINDER ASSEMBLY	630-102A
5	TRUNION	630-023M
6	CAM PIN	630-012M
7	CAM FOLLOWER	630-011M
8	TRUNION BOLT	630-006M
9	CLEVIS PIN	150-012M
10	RETAINING RING	1039F
11	CLAMP SCREW	1110F
12	STEERING SHAFT ASSEMBLY	630-107A
13	STEERING SHAFT BEARING	630-025M
14	STEERING ARM ASSEMBLY	630-106A
15	STEERING SPRING	630-021M
16	#6-32 x 1/4 BHCS	1020F
17	#8-32 x 3/16 SET SCREW	1198F
18	STRUT WELDMENT	660-101A
19	OLEO RAM WELDMENT (RH)	662-102A
20	OLEO RAM WELDMENT (LH)	662-103A
21	TORQUE LINK ASSEMBLY	620-112A
22	SPRING 4 3/4" LONG	660-006P
23	CLEVIS PIN	620-012M
24	PARTS BAG ASSEMBLY	639-015A
25	#4-40 x 1/4" PPHMS	1047F
26	TRUNION PIN **	630-333M
27	PIN RETAINING RING **	1132F

** USED FOR NEW STYLE
NOTE WHICH STYLE WHEN ORDERING
- OLD STYLE USES BOLTS
- NEW STYLE USES PIN WITH RETAINING RINGS

CHK'D BY	
DRAWN BY	J. REHAK
DATE	6-13-02
MODEL No.	640

robot
www.robot.com

MFG. INC.
625 N. 12TH ST.
ST. CHARLES, IL
(630)584-7616

906-059M

FACTORY REPAIR FEE= \$25.00 PLUS PARTS

TITLE 105° STEERABLE NOSE GEAR
WITH 7/16 DIA. STRUT