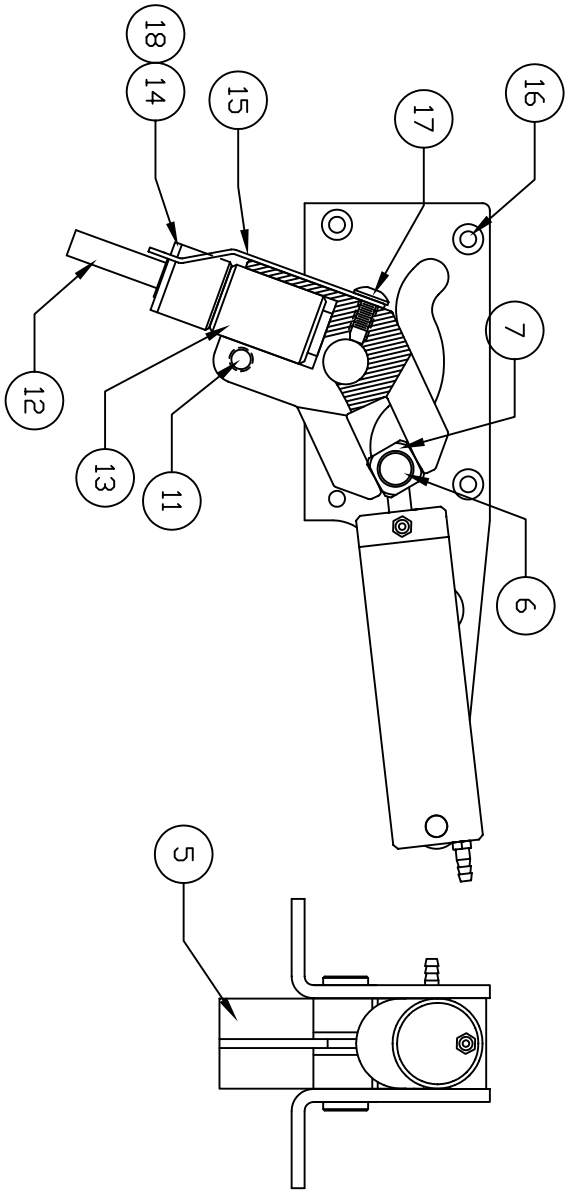
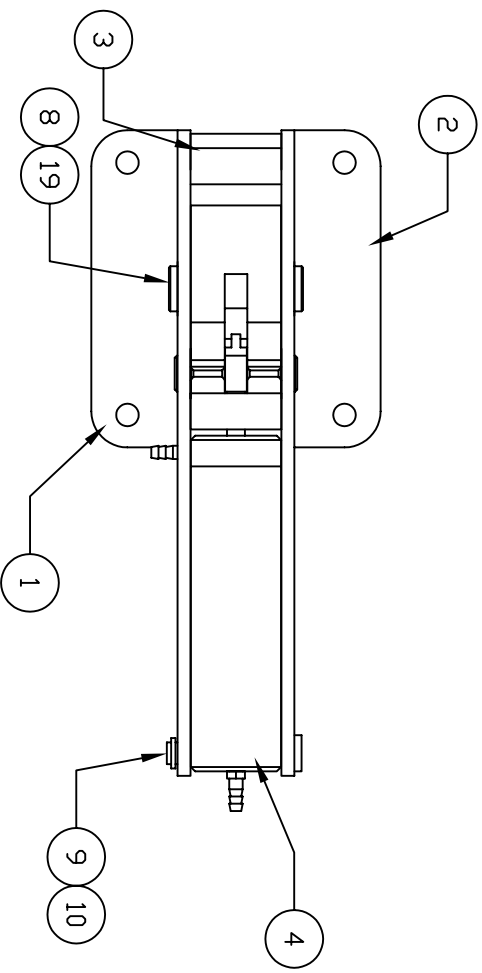


** THIS IS YOUR SPARE PARTS LIST. SAVE FOR FUTURE REFERENCE, ORDER BY PART NUMBER. CURRENT PRICES WILL BE QUOTED.**

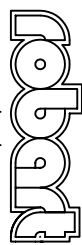


SPARE PARTS LIST

QTY	ITEM	DESCRIPTION	ASS'Y/PART #
1	1	SIDE FRAME (LH)	630-052M
1	2	SIDE FRAME (RH)	630-053M
3	3	FRAME SPACER	630-005M
1	4	CYLINDER ASSEMBLY	630-102A
1	5	TRUNION	630-023M
1	6	CAM PIN	630-012M
2	7	CAM FOLLOWER	630-011M
2	8	TRUNION PIN RETAINING CLIP	1032F
1	9	CLEVIS PIN	150-012M
1	10	RETAINING RING	1039F
1	11	CLAMP SCREW	1110F
1	12	PIVOT PIN	650-010M
1	13	STEERING SHAFT BEARING	630-025M
1	14	STEERING ARM ASSEMBLY	630-106A
1	15	STEERING SPRING	630-021M
6	16	#4-40 x 1/4" PPHMS	1047F
1	17	#6-32 x 1/4" BHCS	1020F
1	18	#10-32 x 3/16" KCPSS	1077F
1	19	TRUNION PIN	630-333M
	20		

906-213M

FACTORY REPAIR FEE= \$25.00 PLUS PARTS

CHK'D BY			MFG. INC. 625 N. 12TH ST. ST. CHARLES, IL (630)584-7616
DRAWN BY	J. REHAK		
DATE	3/04	TITLE 110° RETRACT MECHANISM FOR 1/2" DIA. STRUT STEERABLE NOSE GEAR	
MODEL No.	642RS	www.robot.com	