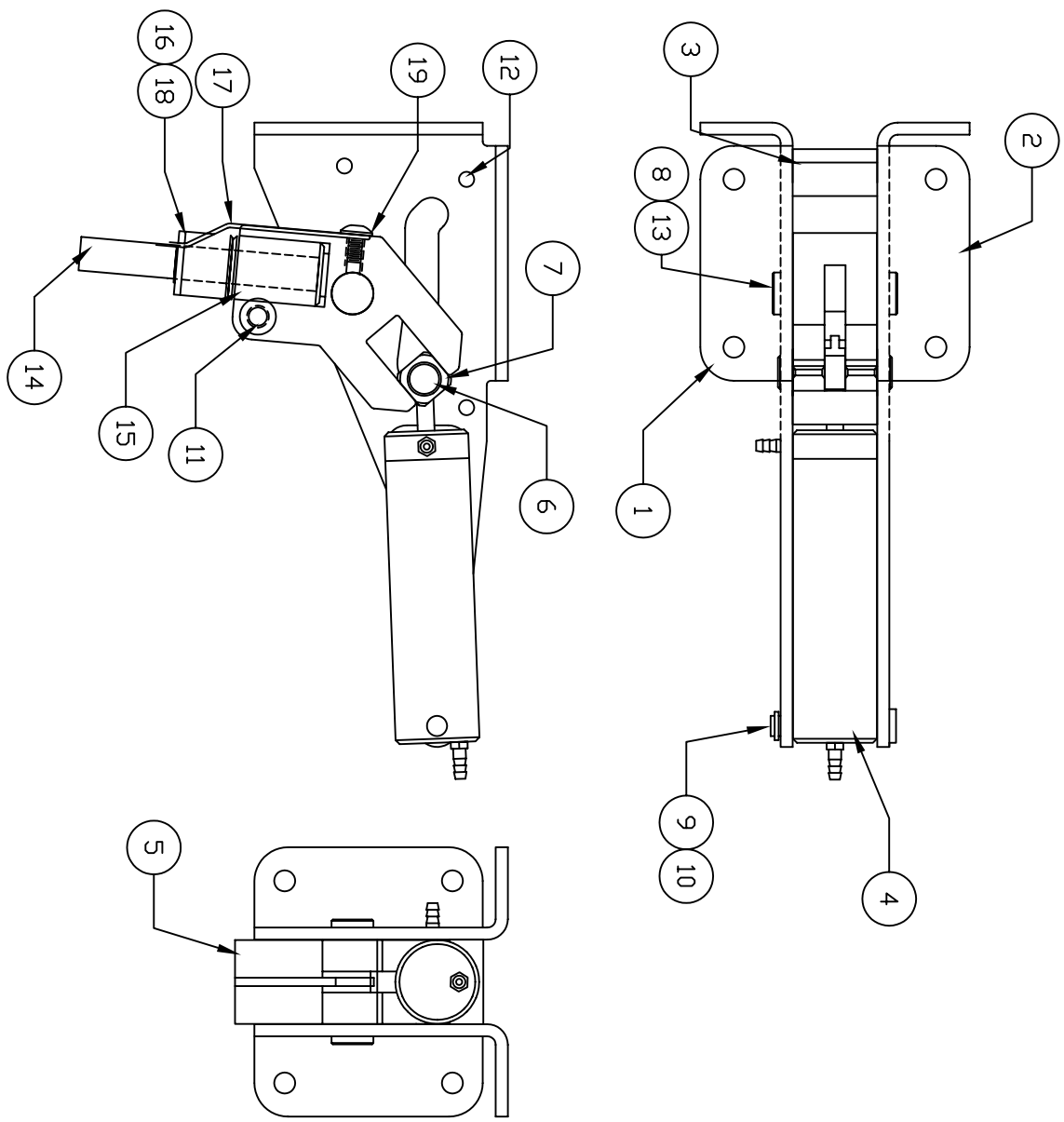


** THIS IS YOUR SPARE PARTS LIST. SAVE FOR FUTURE REFERENCE, ORDER BY PART NUMBER. CURRENT PRICES WILL BE QUOTED.**



SPARE PARTS LIST

QTY	ITEM NOTE	DESCRIPTION	ASSY/PART #
1	1	SIDE FRAME (LH)	630-223M
1	2	SIDE FRAME (RH)	630-224M
3	3	FRAME SPACER	630-005M
1	4	CYLINDER ASSEMBLY	630-102A
1	5	TRUNION	630-003M
1	6	CAM PIN	630-012M
2	7	CAM FOLLOWER	630-011M
1	8	TRUNION PIN	630-333M
1	9	CLEVIS PIN	150-012M
1	10	RETAINING RING	1039F
1	11	CLAMP SCREW	1110F
6	12	#4-40 x 1/4" PPHMS	1047F
2	13	TRUNION PIN RETAINING RING	1132F
1	14	PIVOT PIN (AXLE)	145-133M
1	15	STEERING SHAFT BEARING	WB25-211M
1	16	STEERING ARM ASSEMBLY	WB25-204A
1	17	STEERING SPRING	630-021M
1	18	#10-32 x 3/16 KCPSS	1199F
1	19	#8-32 x 1/4 BHCS	1133F

906-269M
FACTORY REPAIR FEE= \$25.00 PLUS PARTS

CHK'D BY		MFG. INC.
DRAWN BY	J. REHAK	625 N. 12TH ST.
DATE	9/05	ST. CHARLES, IL
MODEL No.	644RS	(630)584-7616
TITLE	95° ROBOSTRUT READY NOSE GEAR BELLY / FIREWALL MOUNT MECHANISM	