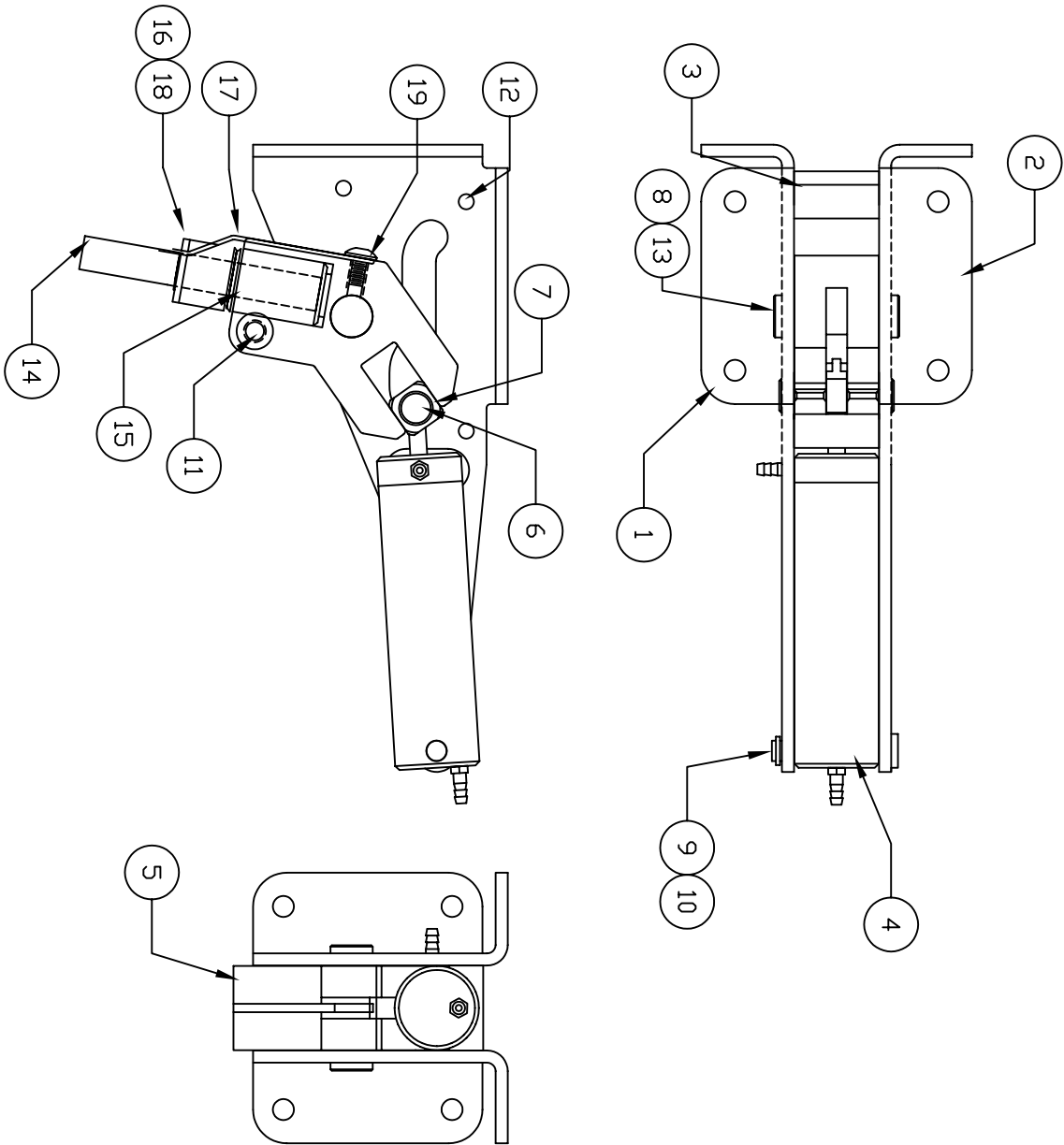


** THIS IS YOUR SPARE PARTS LIST. SAVE FOR FUTURE REFERENCE, ORDER BY PART NUMBER. CURRENT PRICES WILL BE QUOTED.**

SPARE PARTS LIST

| QTY | ITEM NOTE | DESCRIPTION | ASS'Y/PART # |
|-----|-----------|----------------------------|--------------|
| 1 | 1 | SIDE FRAME (LH) | 630-215M |
| 1 | 2 | SIDE FRAME (RH) | 630-216M |
| 3 | 3 | FRAME SPACER | 630-005M |
| 1 | 4 | CYLINDER ASSEMBLY | 630-102A |
| 1 | 5 | TRUNION | 630-003M |
| 1 | 6 | CAM PIN | 630-012M |
| 2 | 7 | CAM FOLLOWER | 630-011M |
| 1 | 8 | TRUNION PIN | 630-333M |
| 1 | 9 | CLEVIS PIN | 150-012M |
| 1 | 10 | RETAINING RING | 1039F |
| 1 | 11 | CLAMP SCREW | 1110F |
| 6 | 12 | #4-40 x 1/4" PPHMS | 1047F |
| 2 | 13 | TRUNION PIN RETAINING RING | 1132F |
| 1 | 14 | PIVOT PIN (AXLE) | 145-133M |
| 1 | 15 | STEERING SHAFT BEARING | WB25-211M |
| 1 | 16 | STEERING ARM ASSEMBLY | WB25-204A |
| 1 | 17 | STEERING SPRING | 630-021M |
| 1 | 18 | #10-32 x 3/16 KCPSS | 1199F |
| 1 | 19 | #8-32 x 1/4 BHCS | 1133F |



906-265M

FACTORY REPAIR FEE= \$25.00 PLUS PARTS

| | | |
|-----------|--|-----------------|
| CHK'D BY | | MFG. INC. |
| DRAWN BY | J. REHAK | 625 N. 12TH ST. |
| DATE | 9/05 | ST. CHARLES, IL |
| MODEL No. | 645RS | (630)584-7616 |
| TITLE | 100° ROBOSTRUT READY NOSE GEAR BELLY / FIREWALL MOUNT MECHANISM | |
| | www.robart.com | |