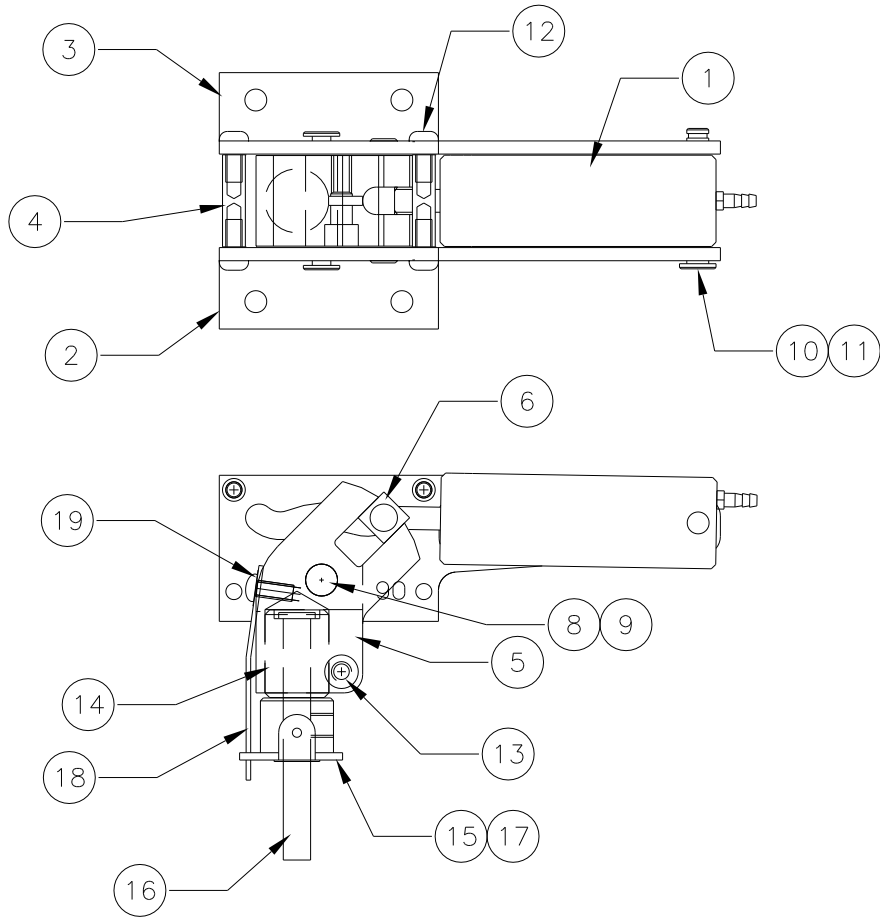



** THIS IS YOUR SPARE PARTS LIST. SAVE FOR FUTURE REFERENCE, ORDER BY PART NUMBER. CURRENT PRICES WILL BE QUOTED.**



SPARE PARTS LIST

QTY	ITEM	NOTE	DESCRIPTION	ASS'Y/PART #
1	1	.	CYLINDER ASSEMBLY	550-420A
1	2	.	SIDE FRAME LH	550-014M
1	3	.	SIDE FRAME RH	550-015M
3	4	.	FRAME SPACER	530-021M
1	5	.	TRUNION	550-001M
2	6	.	CAM FOLLOWER	530-030M
.	7	.	.	.
1	8	.	PIVOT PIN	530-026M
2	9	.	RETAINING RING	.1125F
1	10	.	CLEVIS PIN	.150-012M
1	11	.	RETAINING RING	.1039F
6	12	.	#4-40 x 1/4 PPHMS	.1047F
1	13	.	#6-32 x 3/8 SHCS	.1048F
1	14	.	STEERING BEARING	530-032M
1	15	.	STEERING ARM ASSEMBLY	530-125A
1	16	.	STEERING SHAFT (AXLE)	650-010M
1	17	.	#10-32 KCPSS	.1198F
1	18	.	CENTERING SPRING	550-230M
1	19	.	#4-40 x 3/16 BHCS	.1022F
.	20	.	.	.

CHK'D BY	 MFG. INC. 625 N. 12TH ST. ST. CHARLES, IL (630)584-7616
DRAWN BY J. REHAK	
DATE 9/06	TITLE 90° NOSE GEAR DETAIL SPRING DOWN SERIES
MODEL No. 710RS / 720RS	www.robart.com

906-299M

FACTORY REPAIR FEE= \$25.00 PLUS PARTS