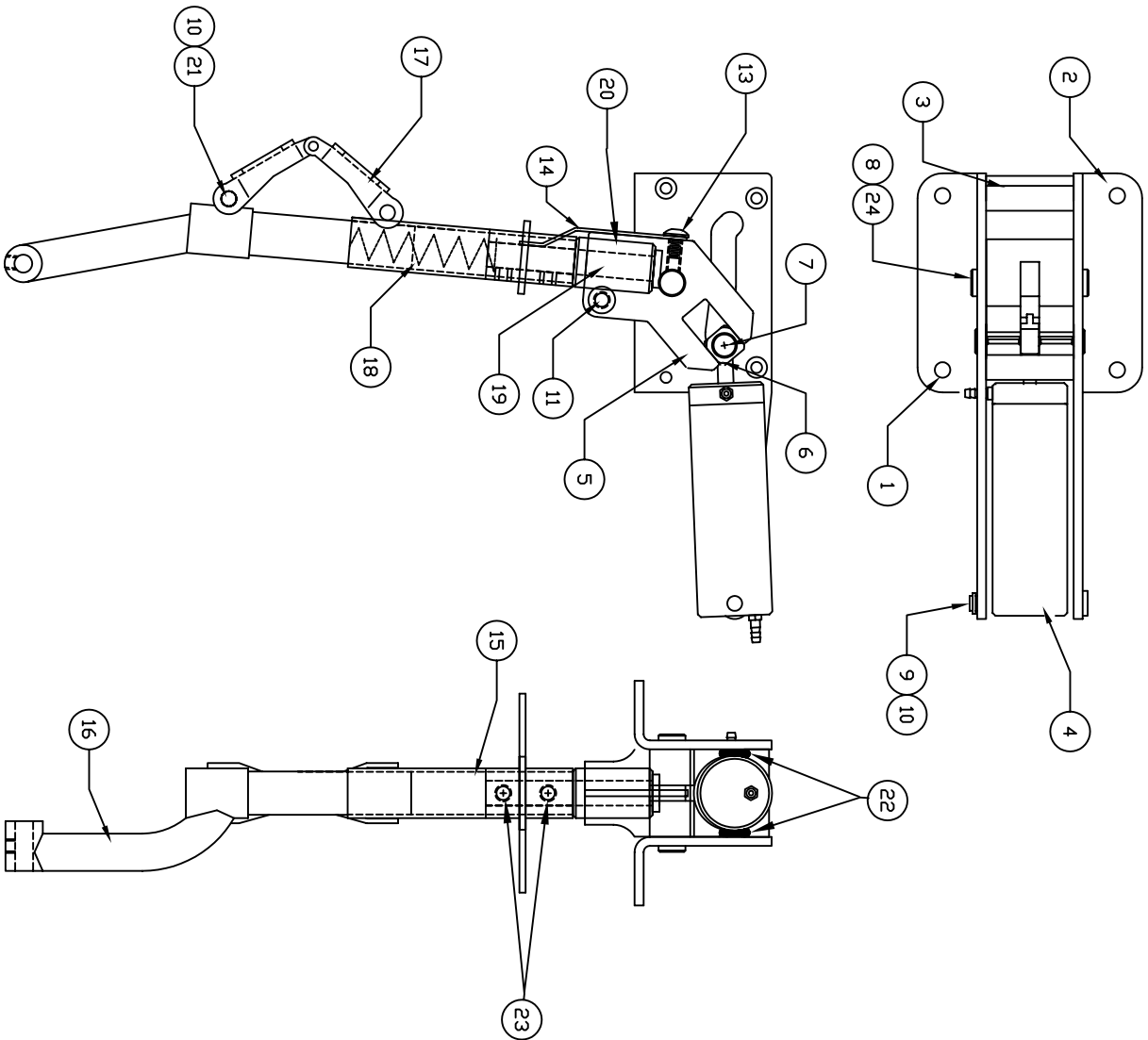



** THIS IS YOUR SPARE PARTS LIST. SAVE FOR FUTURE REFERENCE, ORDER BY PART NUMBER. CURRENT PRICES WILL BE QUOTED.**



SPARE PARTS LIST

| QTY | ITEM | DESCRIPTION | ASSY/PART # |
|-----|------|------------------------|-------------|
| 1 | 1 | SIDE FRAME (LH) | YSPF-001M |
| 1 | 2 | SIDE FRAME (RH) | YSPF-002M |
| 3 | 3 | FRAME SPACER | 635-008M |
| 1 | 4 | CYLINDER ASSEMBLY | 635-108A |
| 1 | 5 | TRUNION | 635-002M |
| 1 | 6 | CAM PIN | 635-006M |
| 2 | 7 | CAM FOLLOWER | 635-007M |
| 2 | 8 | TRUNION PIN | 630-333M |
| 1 | 9 | CLEVIS PIN | 635-009M |
| 4 | 10 | RETAINING RING | 1039F |
| 1 | 11 | CLAMP SCREW | 1110F |
| 6 | 12 | FRAME SCREW | 1047F |
| 1 | 13 | SPRING CLAMP SCREW | 1133F |
| 1 | 14 | STEERING SPRING | 630-021M |
| 1 | 15 | STRUT WELDMENT | EUR-203A |
| 1 | 16 | OLEO RAM WELDMENT | EUR-202A |
| 1 | 17 | TORQUE LINK ASSEMBLY | 620-112A |
| 1 | 18 | SPRING 3.5" LONG | 635-001P |
| 1 | 19 | PIVOT PIN | EUR-211M |
| 1 | 20 | STEERING RETAINER RING | EUR-212M |
| 2 | 21 | CLEVIS PIN | 150-002M |
| 2 | 22 | O-RING | 204-006P |
| 2 | 23 | 8-32 x 3/16 SSS | 1198F |
| 2 | 24 | TRUNION RETAINING RING | 1032F |

| | | | |
|-----------|----------|---|--|
| CHK'D BY | |  MFG. INC. 625 N. 12TH ST. ST. CHARLES, IL (630)584-7616 | |
| DRAWN BY | J. REHAK | | |
| DATE | 6-13-02 | TITLE | EURDFIGHTER NDSE GEAR 95° RETRACT MECH. |
| MODEL No. | 635 EURD | | |

906-156M

FACTORY REPAIR FEE= \$25.00 PLUS PARTS