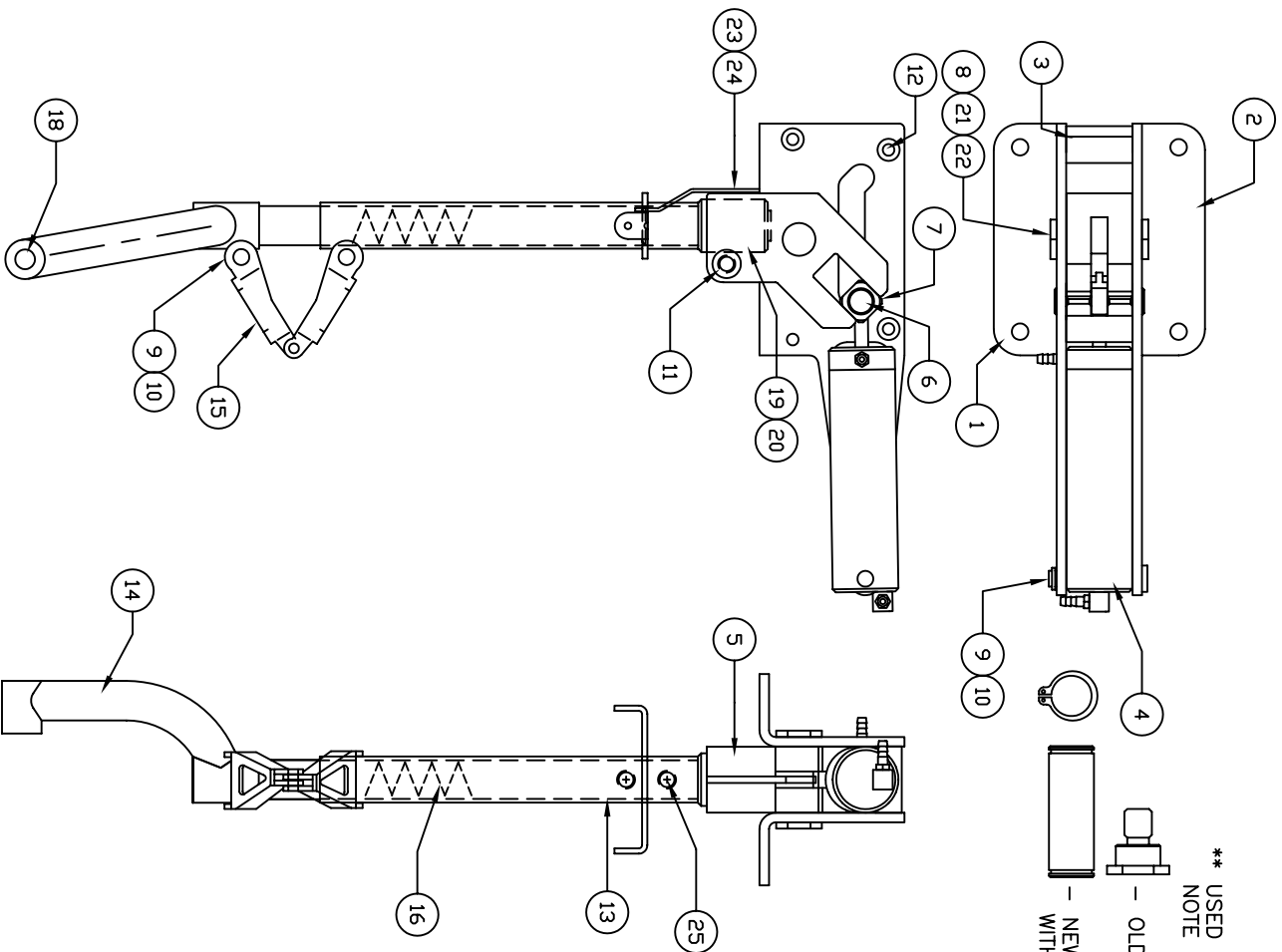



** THIS IS YOUR SPARE PARTS LIST. SAVE FOR FUTURE REFERENCE, ORDER BY PART NUMBER. CURRENT PRICES WILL BE QUOTED.**



** USED FOR NEW STYLE
NOTE WHICH STYLE WHEN ORDERING

SPARE PARTS LIST

QTY	ITEM	DESCRIPTION	ASSY/PART #
1	1	SIDE FRAME (LH)	630-001M
1	2	SIDE FRAME (RH)	630-002M
3	3	FRAME SPACER	630-005M
1	4	CYLINDER ASSEMBLY	KAN-108A
1	5	TRUNION	630-003M
1	6	CAM PIN	630-012M
2	7	CAM FOLLOWER	630-011M
2	8	TRUNION BOLT	630-006M
1	9	CLEVIS PIN	150-012M
1	10	RETAINING RING	1039F
1	11	CLAMP SCREW	1110F
6	12	#4-40 x 1/4" PPHMS	1047F
1	13	UPPER STRUT ASSY	HDT-203A
2	14	OLEO STRUT ASSY	KAN-208A
1	15	TORQUE LINK ASSY	620-112A
1	16	SPRING 4 5/8" LONG	660-006P
2	17	CLEVIS PIN	620-012M
1	18	AXLE BAG ASSEMBLY	BNZ-142A
1	19	STEERING BUSHING	ZF9F-204M
1	20	AXLE SHAFT	BZA-319M
2	21	TRUNION PIN RETAINING RING	1132F
1	22	TRUNION PIN **	630-333M
1	23	CENTERING SPRING	630-021M
1	24	8-32 x 1/4 BHSMS	1133F

CHK'D BY			MFG. INC. 625 N. 12TH ST. ST. CHARLES, IL (630)584-7616
DRAWN BY	J. REHAK		
DATE	8-7-02	TITLE	NDSGE GEAR RETRACT HDTSPOT NDSGE GEAR
MODEL No.	630-HOTSPOT	FACTORY REPAIR FEE= \$25.00 PLUS PARTS 906-071M	