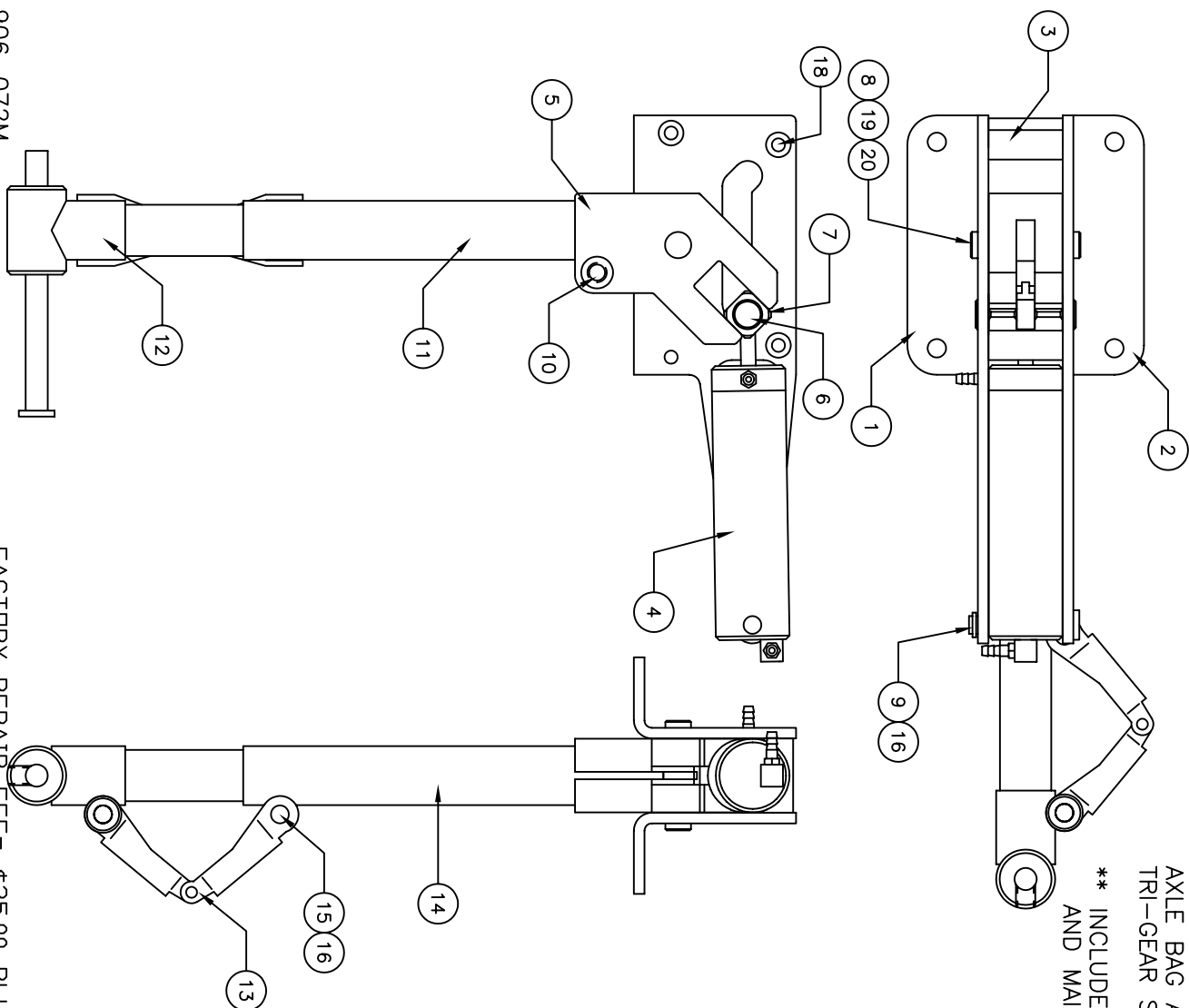


\*\* THIS IS YOUR SPARE PARTS LIST. SAVE FOR FUTURE REFERENCE, ORDER BY PART NUMBER. CURRENT PRICES WILL BE QUOTED.\*\*

AXLE BAG ASSEMBLY FOR KANGAROO  
TRI-GEAR SET= KAN-142A

\*\* INCLUDES ALL PARTS FOR NOSE  
AND MAIN GEAR AXLE ASSEMBLY



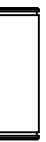
SPARE PARTS LIST

ITEM	DESCRIPTION	ASSY/PART #
1	SIDE FRAME (LH)	630-001M
2	SIDE FRAME (RH)	630-002M
3	FRAME SPACER	630-005M
4	CYLINDER ASSEMBLY	KAN-108A
5	TRUNION	630-023M
6	CAM PIN	630-012M
7	CAM FOLLOWER	630-011M
8	TRUNION BOLT	630-006M
9	CLEVIS PIN	150-012M
10	CLAMP SCREW	1110F
11	STRUT WELDMENT	KAN-104A
12	OLEO RAM WELDMENT	KAN-103A
13	TORQUE LINK ASSEMBLY	620-112A
14	SPRING	150-019P
15	CLEVIS PIN	620-012M
16	RETAINING RING	1039F
17		
18	#4-40 x 1/4" PPHMS	1047F
19	TRUNION PIN **	630-333M
20	PIN RETAINING RING **	1132F

\*\* USED FOR NEW STYLE  
NOTE WHICH STYLE WHEN ORDERING



- OLD STYLE USES BOLTS



- NEW STYLE USES PIN WITH RETAINING RINGS

CHK'D BY	
DRAWN BY	J. REHAK
DATE	8-7-02
MODEL No.	630-KANGAROO



MFG. INC.  
625 N. 12TH ST.  
ST. CHARLES, IL  
(630)584-7616

FACTORY REPAIR FEE= \$25.00 PLUS PARTS

906-072M

90° RETRACTS  
KANGAROO MAINS