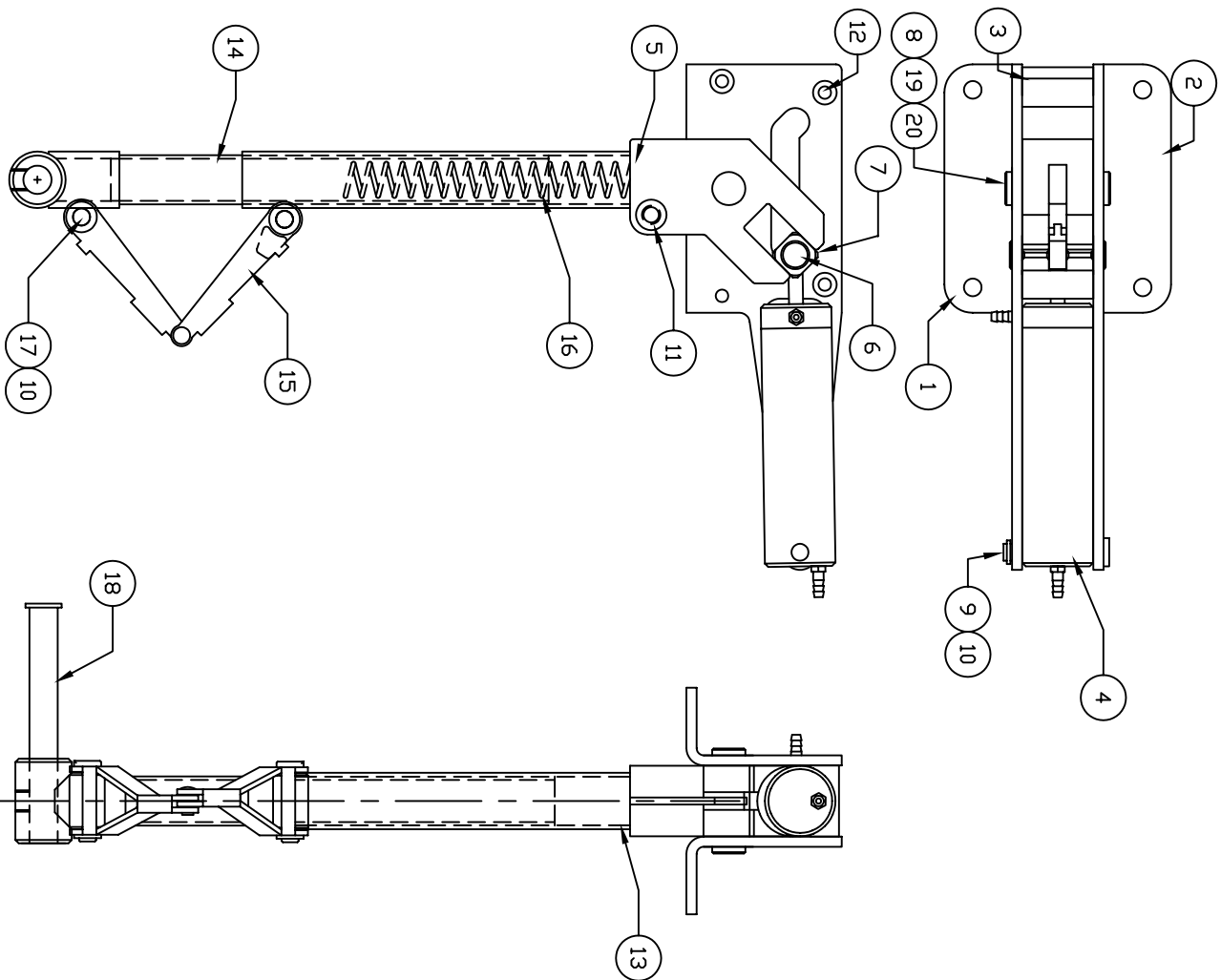


** THIS IS YOUR SPARE PARTS LIST. SAVE FOR FUTURE REFERENCE, ORDER BY PART NUMBER. CURRENT PRICES WILL BE QUOTED.**



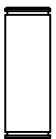
SPARE PARTS LIST

QTY	ITEM	DESCRIPTION	ASSY/PART #
1	1	SIDE FRAME (LH)	630-001M
1	2	SIDE FRAME (RH)	630-002M
3	3	FRAME SPACER	630-005M
1	4	CYLINDER ASSEMBLY	630-102A
1	5	TRUNION (THRU HOLE)	630-003M
1	6	CAM PIN	630-012M
2	7	CAM FOLLOWER	630-011M
2	8	TRUNION BOLT	630-006M
1	9	CLEVIS PIN	150-012M
1	10	RETAINING RING	1039F
1	11	CLAMP SCREW	1110F
6	12	#4-40 x 1/4" PPHMS	1047F
1	13	UPPER STRUT TUBE	WB25-102A
1	14	OLEO RAM ASSY	155-104A
1	15	TORQUE LINK ASSY	150-107A
1	16	SPRING 9" LONG	150-019P
2	17	CLEVIS PIN	150-002M
1	18	AXLE BAG ASSEMBLY	WB25-142A
1	19	TRUNION PIN **	630-333M
2	20	PIN RETAINING RING **	1132F


** USED FOR NEW STYLE
NOTE WHICH STYLE WHEN ORDERING



- OLD STYLE USES BOLTS



- NEW STYLE USES PIN WITH RETAINING RINGS

CHK'D BY		 MFG. INC. 625 N. 12TH ST. ST. CHARLES, IL (630)584-7616
DRAWN BY	J. REHAK	
DATE	7-26-02	TITLE
MODEL No.	WB-25	WING B-25 MAIN GEAR

906-172M

FACTORY REPAIR FEE= \$25.00 PLUS PARTS