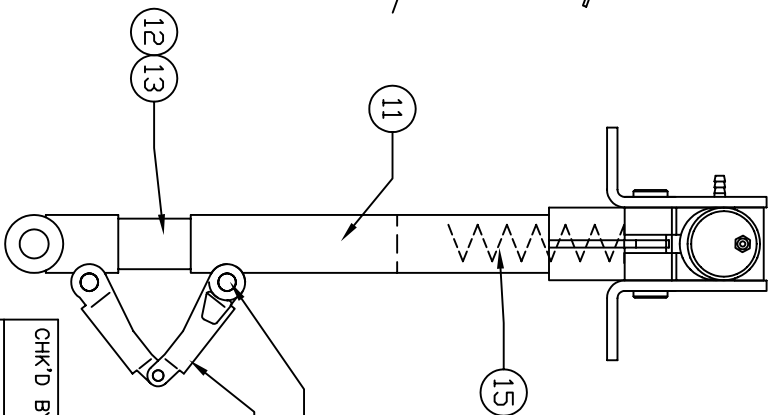
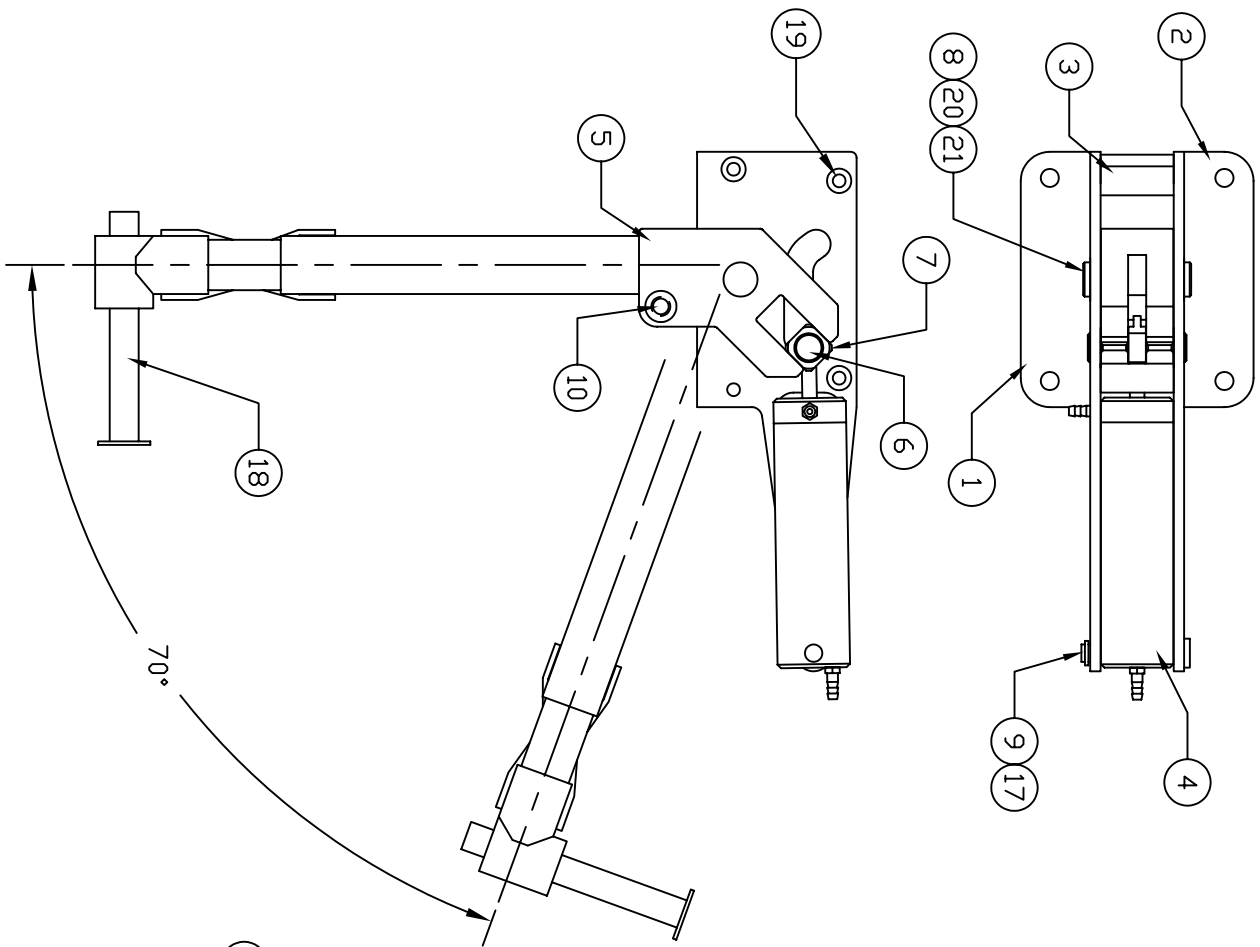
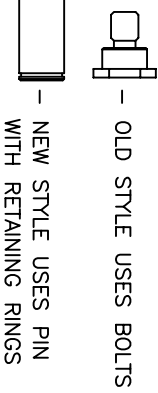


** THIS IS YOUR SPARE PARTS LIST. SAVE FOR FUTURE REFERENCE, ORDER BY PART NUMBER. CURRENT PRICES WILL BE QUOTED.**



QTY	ITEM	DESCRIPTION	ASSY/PART #
1	1	SIDE FRAME (LH)	ZF9F-001M
1	2	SIDE FRAME (RH)	ZF9F-002M
3	3	FRAME SPACER	630-005M
1	4	CYLINDER ASSEMBLY	630-102A
1	5	TRUNION (THRU HOLE)	630-003M
1	6	CAM PIN	630-012M
2	7	CAM FOLLOWER	630-011M
2	8	TRUNION BOLT	630-006M
1	9	CLEVIS PIN	150-012M
1	10	CLAMP SCREW	1110F
1	11	STRUT TUBE ASSEMBLY	ZF9F-106A
1	12	OLEO RAM ASSEMBLY RH	ZF9F-104A
1	13	OLEO RAM ASSEMBLY LH	ZF9F-105A
1	14	TORQUE LINK ASSEMBLY	620-112A
1	15	SPRING 6" LONG	150-019P
2	16	CLEVIS PIN	620-012M
3	17	RETAINING RING	1039F
1	18	AXLE BAG ASSEMBLY	145-142A
6	19	4-40 x 1/4" PPHMS	1047F
1	20	TRUNION PIN **	630-333M
2	21	PIN RETAINING RING **	1132F

** USED FOR NEW STYLE
NOTE WHICH STYLE WHEN ORDERING



CHK'D BY
DRAWN BY J. REHAK
DATE 6-13-02
MODEL No. ZF9F



MFG. INC.
625 N. 12TH ST.
ST. CHARLES, IL
(630)584-7616

TITLE
ZIROLI F9F
MAIN GEAR

906-018M

FACTORY REPAIR FEE= \$25.00 PLUS PARTS