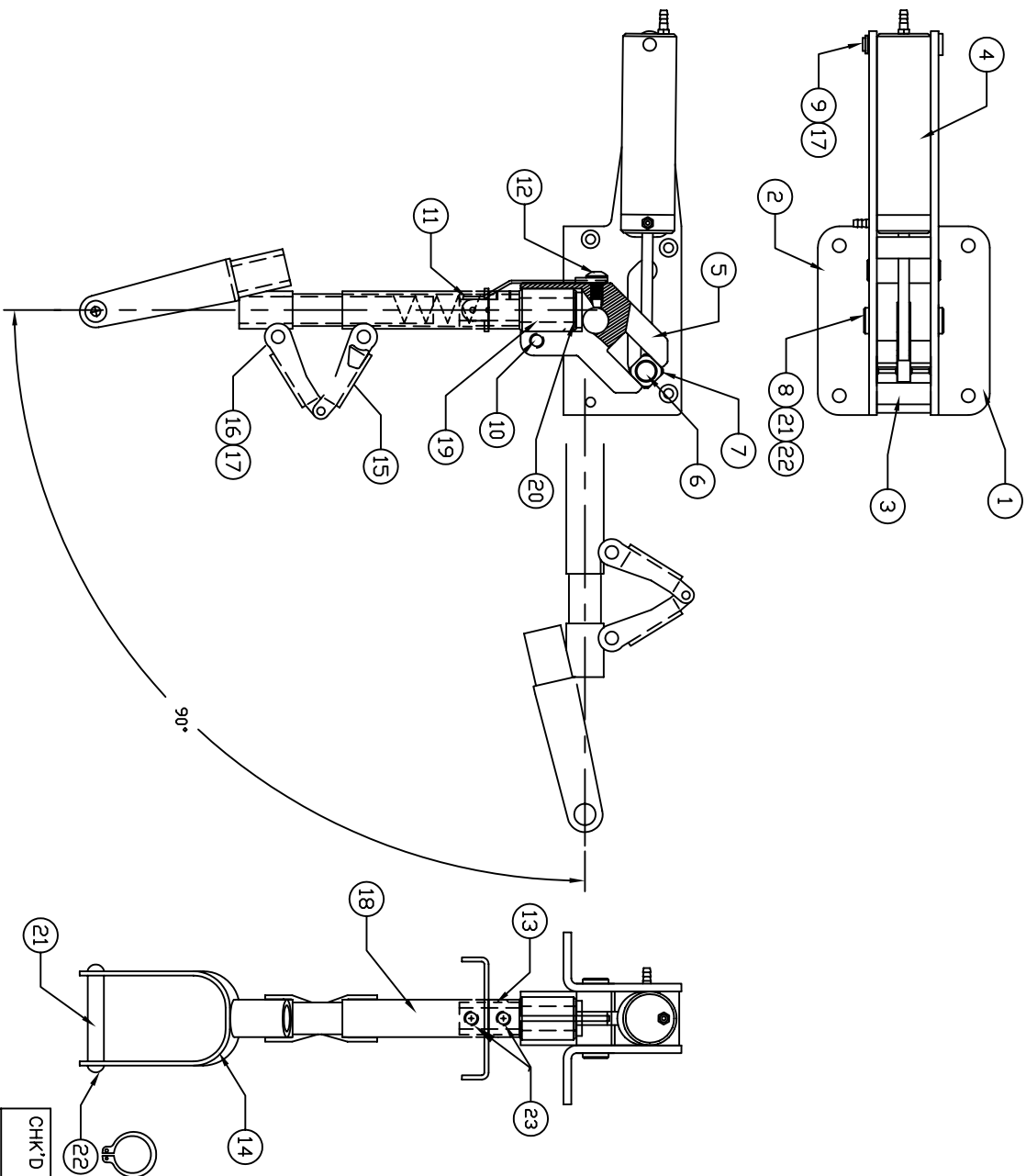


** THIS IS YOUR SPARE PARTS LIST. SAVE FOR FUTURE REFERENCE, ORDER BY PART NUMBER. CURRENT PRICES WILL BE QUOTED.**



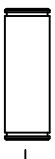
SPARE PARTS LIST

QTY	ITEM	DESCRIPTION	ASSY/PART #
1	1	SIDE FRAME (LH)	630-001M
1	2	SIDE FRAME (RH)	630-002M
3	3	FRAME SPACER	630-005M
1	4	CYLINDER ASSEMBLY	630-102A
1	5	TRUNION	630-003M
1	6	CAM PIN	630-012M
2	7	CAM FOLLOWER	630-011M
2	8	TRUNION BOLT	630-006M
1	9	CLEVIS PIN	150-012M
1	10	CLAMP SCREW	1110F
1	11	STEERING SPRING	630-021M
1	12	#6-32 x 1/4 BHCS	1020F
1	13	STRUT WELDMENT	ZF9F-202A
1	14	OLEO RAM WELDMENT	ZF9F-203A
1	15	TORQUE LINK ASSEM.	620-112A
2	16	LINK PIN	620-012M
3	17	RETAINING RING	1039F
1	18	SPRING 4' LONG	660-006P
1	19	SHAFT BEARING	ZF9F-204M
1	20	AXLE SHAFT	BZA-319M
1	21	AXLE	160-020M
8	22	SDCKET HEAD SCREWS	1047F
1	21	TRUNION PIN **	630-333M
2	22	PIN RETAINING RING **	1132F
2	23	#8-32 SDC SET SCREW	1198F


** USED FOR NEW STYLE
NOTE WHICH STYLE WHEN ORDERING



— OLD STYLE USES BOLTS



— NEW STYLE USES PIN WITH RETAINING RINGS

CHK'D BY		 MFG. INC. 625 N. 12TH ST. ST. CHARLES, IL (630)584-7616
DRAWN BY	J. REHAK	
DATE	6-13-02	
MODEL No.	ZF9F	
TITLE	ZIRROLI F9F NOSE GEAR	

906-019M

FACTORY REPAIR FEE= \$25.00 PLUS PARTS